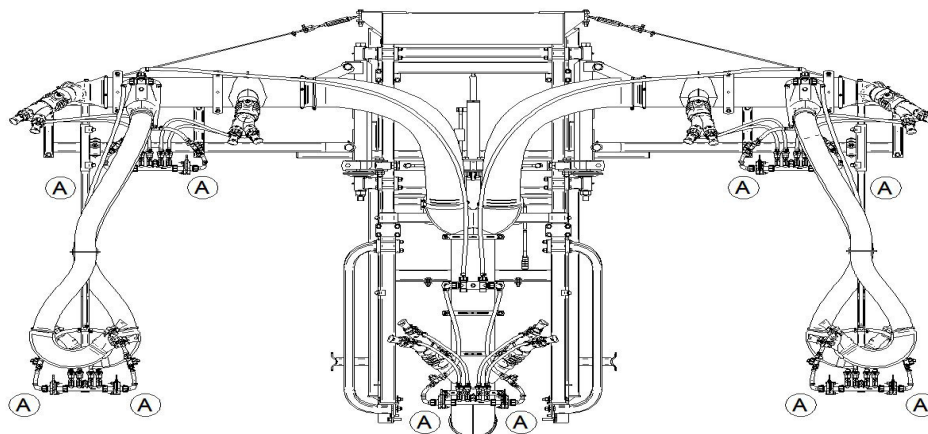
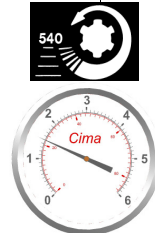
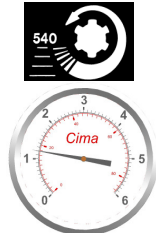
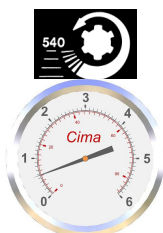
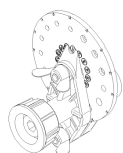


cima[®]

ATOMIZZATORI-IMPOLVERATORI



BH10.2.140.50.04



N° 10

0,6 Kg/cm²

1,2 Kg/cm²

1,5 Kg/cm²

2 Kg/cm²

| A | l/h | l/h | l/h | l/h |
|-----------|------------|------------|------------|------------|
| 1 | 275 | 375 | 417 | 475 |
| 2 | 333 | 442 | 475 | 575 |
| 3 | 458 | 625 | 692 | 792 |
| 4 | 575 | 783 | 867 | 975 |
| 5 | 733 | 917 | 1000 | 1133 |
| 6 | 800 | 1017 | 1183 | 1333 |
| 7 | 983 | 1333 | 1483 | 1667 |
| 8 | 1083 | 1500 | 1633 | 1867 |
| 9 | 1223 | 1691 | 1898 | 2113 |
| 10 | 1361 | 1882 | 2044 | 2269 |
| 11 | 1410 | 1950 | 2177 | 2412 |
| 12 | 1558 | 2155 | 2456 | 2697 |
| | | | | |
| | | | | |
| | | | | |