



**PLUS**

# OPERATION AND MAINTENANCE INSTRUCTIONS

**cima** S.p.A.

27040 Montù Beccaria - Loc. Molino Quaroni - (PV) - ITALIA  
Tel. +39.0385.246636 r.a. - Fax +39.0385.246637  
<http://www.cimaitalia.com>

**cima**®

**atomizzatori e impolveratori**

Dear Customer, thank you very much!

We want to congratulate with you, for having chosen a **cima**® sprayer.

Your choice shows the wisdom of the well-informed Purchaser, aware of the fact, that the required features of quality, technique and reliability must be satisfied at the right price!

Our continuous engagement in R&D and in testing our machines allows us to realize products able to offer the best performances, a high reliability and a great easiness of use at the same time !

Our first goal, is to get our Customers happy for having met us!

The "Spare parts catalogue" of this sprayer/sprayhead is available in the "restricted area" on website [www.cima.it](http://www.cima.it).

In order to accede, use:

User name: **sprayer**

Password: **844719KE**

Where we are





<b>DICHIARAZIONE DI CONFORMITÀ</b> ai sensi della direttiva 98/37/CE del 22/06/98 e successive modificazioni		CE		
<b>DECLARATION OF CONFORMITY</b> as directive: 98/37/CE - 22/06/98 and subsequent modifications	CE	<b>DECLARATION DE CONFORMITE</b> selon la directive 98/37/CE - 22/06/98 et modifications ultérieures	CE	
<b>ÜBERREINSTIMMUNG-ERKLÄRUNG</b> II. Direktiven 98/37/CE - 22/06/98 und nachfolgenden Änderung	CE	<b>DECLARACION DE CONFORMIDAD</b> con arreglo a la Directiva 98/37/CE - 22/06/98 y modificaciones siguientes	CE	
<b>CIMA s.p.a. 27040 MONTÙ BECCARIA (PV) - ITALY - Loc. Molino Quaroni</b>				
DICHIARA SO LO LA PROPRIA RESPONSABILITÀ CHE LA MACCHINA	HEREMITH DECLARES, UNDER THEIR PERSONAL RESPONSIBILITY, THAT THE FOLLOWING MACHINE	DECLARONS SOUS NOTRE RESPONSABILITÉ QUE LA MACHINE REPRÉSENTE QU'EST-CE	ERSTÄTTET HERMIT UNTER MEINER PERSÖNLICHEN VERANTWORTUNG DAS DIE MASCHINE	DECLARA BAJO LA PROPIA RESPONSABILIDAD QUE LA MÁQUINA
SERIE, TIPO - MODEL, TYPE - SERIE, TYPE - MODEL, TYI - SERIE, TIPO:				
_____				
MATRICOLA SERIAL MATRICOLI E SERIAL MATRICULI A NR.:				
_____				
È conforme ai Requisiti essenziali di Sicurezza e di Tutela della Salute di cui alla Direttiva 98/37/CE del 22/06/98 e sue successive modificazioni. For the verification of conformity of our self the following harmonized norms have been consulted:				
EN 294    EN 349    EN 507				
Conforms to the essential Safety regulation, as well as the Health requirements as per European Economic Community Directive: 98/37/CE - 22/06/98 and subsequent modifications. For the verification of conformity as per above mentioned directives the following official EN norms have been consulted: Harmonized norms:		Est conforme aux exigences de Sécurité et de Sauvegarde de la Santé, dont à la Directive: 98/37/CE - 22/06/98 et modifications ultérieures. Pour vérifier la conformité aux directives susmentionnées, ont été prises en compte les normes suivantes: Normes harmonisées:		
EN 294    EN 349    EN 507		EN 294    EN 349    EN 507		
Stimmt mit den wesentlichen Requisiten der Sicherheit vorzuschritten, und der Gesundheitsvorsorge lt. EWG Direktive Nr. 98/37/CE - 22/06/98 und nachfolgenden Änderungen überein. Für die Überprüfung dieser Übereinstimmungs-Übersicht lt. obigen Direktiven sind folgende Normen konsultiert worden:		Cumplo con los requisitos esenciales de Seguridad y de Preservación de la Salud contenidos en la Directiva 98/37/CE - 22/06/98 y modificaciones siguientes. Para comprobar la conformidad a la que se refieren las Directivas anteriormente citadas, se han consultado las siguientes: Normas Armonizadas:		
LN 294    LN 349    LN 507		LN 294    LN 349    LN 507		
Designazione della Sicurezza - The Safety Official - Responsable Sécurité et Santé options - Der Fachverantw. bezieht - Responsabilità de la Seguridad				
Smeraldi Paolo				
Montù Beccaria (PV) Data, Ora, Firma, Incarico: _____				

# LOW-VOLUME SPRAYERS MOUNTED MODELS

Plus 42-45  
Plus 50-55-55S-55E

Model: .....

Serial Number: .....

## OPERATION AND MAINTENANCE INSTRUCTIONS



27040 Montù Beccaria - Loc. Molino Quaroni - (PV) - ITALIA  
 Tel. +39.0385.246636 r.a. - Fax +39.0385.246637  
<http://www.cimaitalia.com>

Spray atomiser model	Aerial noise emitted L <sub>qA</sub> - dB(A)
Plus 42	89,0 +- 0,2
Plus 45	92,4 +- 0,2
Plus 50	99,4 +- 0,2
Plus 55	95,4 +- 0,2
Plus 55S	95,4 +- 0,2
Plus 55E	95,4 +- 0,2

UMAPT013GB

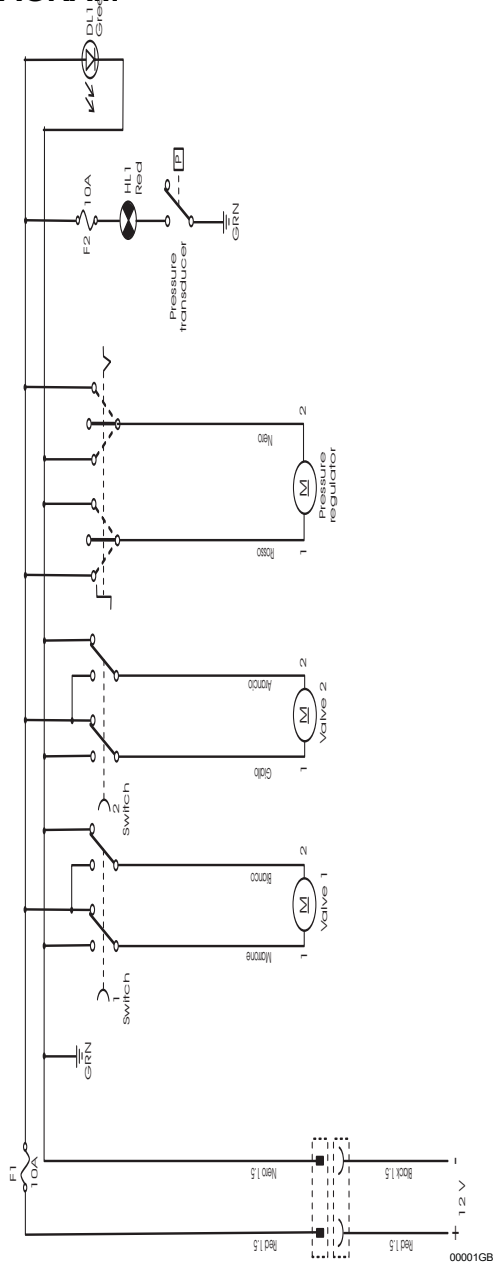

**THE OWNER AND/OR THE OPERATOR OF THE SPRAYER ARE NOT PERMITTED TO MODIFY THE STRUCTURE OR THE SPECIFIC OPERATION OF THE SPRAYER ITSELF. ANY REPAIRING INTERVENTION HAS TO BE CARRIED OUT EITHER AT THE DISTRIBUTORS' OR AT THE C.I.M.A. S.p.A. AUTHORIZED WORKSHOPS, OTHERWISE ANY KIND OF WARRANTY IMMEDIATELY CEASES AND C.I.M.A. S.p.A. IS CLEARED OF ANY CONSEQUENT AND/OR IMPLIED RESPONSIBILITY.**

The machines are guaranteed for **12 months** from the delivery date. During this period, spare parts not subject to wear and tear and confirmed as defective will be replaced free of charge, not including of transport and labour expenses.

The warranty will be void:

- a. should repairs be carried out without the consent of the manufacturer or one of its sale points.
- b. should original spares not be used.
- c. should the machine be used for purposes other than those for which it was specifically designed and destined.
- d. should the instructions of this manual, together with those relating to the integrative parts that make it up, not be observed.

16.2 - WIRING DIAGRAM



LISTING OF VALID PAGES

This publication consists of 60 pages, subdivided as follows:

N° OF PAGE	REVISION	BASE
from I to VI	03	January 2002
from 1 to 55	03	January 2002

ADDITIONAL RECORDS AND VARIANTS

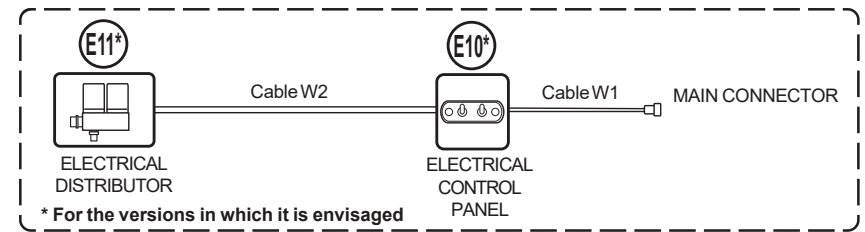
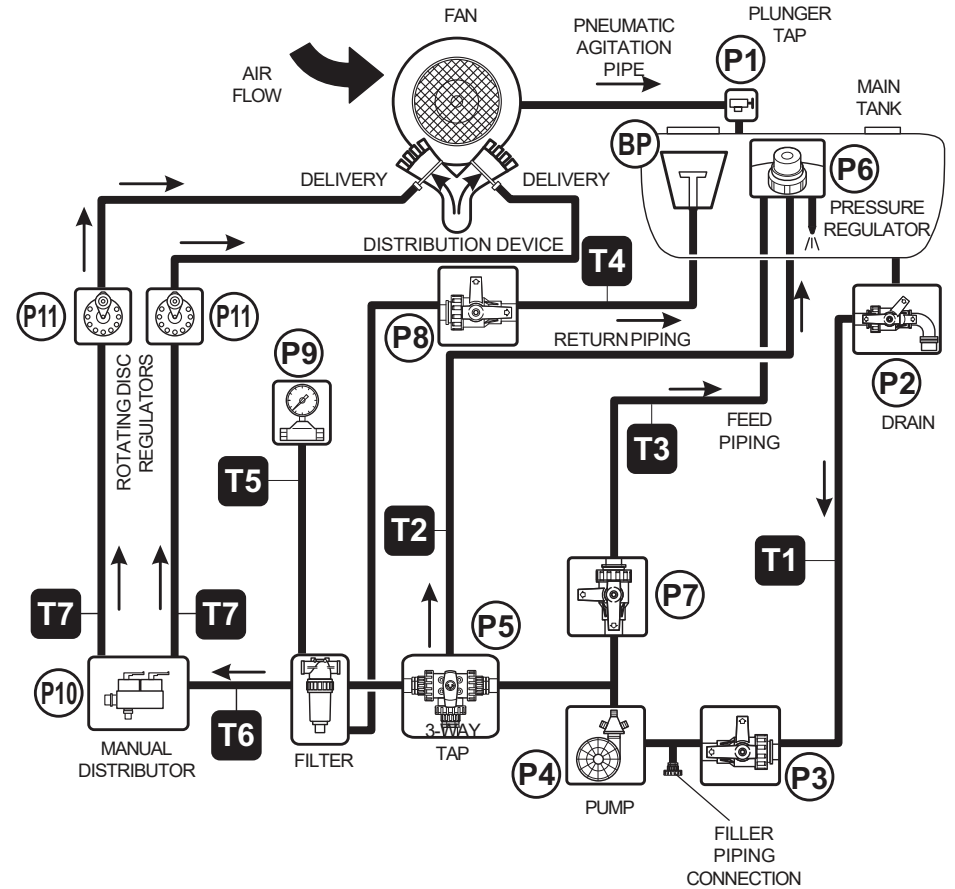
REVISION	DESCRIPTION
00	First Edition, June 2000
01	Second Edition, November 2000
02	Revision, December 2001
03	Third edition, January 2002
04	
05	
06	
07	
08	

**GENERAL INDEX**

<b>1 FOREWORD</b> .....	<b>1</b>
1.1 PUBLICATION IDENTIFICATION .....	1
1.2 ATTACHED PUBLICATIONS .....	1
1.3 PURPOSE OF PUBLICATION .....	1
1.4 REFERENCE TO REGULATIONS .....	1
1.5 USING THE MANUAL .....	1
1.6 UPDATES .....	2
<b>2 GLOSSARY</b> .....	<b>3</b>
2.1 TERMINOLOGY .....	3
2.2 ABBREVIATIONS .....	3
2.3 DECALS .....	3
<b>3 GENERAL INFORMATION</b> .....	<b>7</b>
3.1 MACHINE IDENTIFICATION .....	7
3.2 TECHNICAL ASSISTANCE .....	7
3.3 SAFETY NOTICES .....	7
3.4 SAFETY SYSTEMS .....	8
3.5 HANDLING OF AGRO-CHEMICALS .....	9
3.5.1 STORAGE .....	9
3.5.2 SPECIFIC EQUIPMENT .....	9
3.5.3 DISPOSAL OF EMPTY CONTAINERS AND AGRO-CHEMICAL RESIDUES .....	9
3.5.4 PERSONAL MEANS OF PROTECTION .....	10
<b>4 MACHINE STRUCTURAL ANALYSIS</b> .....	<b>11</b>
4.1 FRAME .....	12
4.2 FAN SERVO AMPLIFIER .....	13
4.3 HYDRAULIC CIRCUIT COMPONENTS .....	14
4.4 TECHNICAL DATA .....	21
4.4.1 Sprayers dimensions and weights .....	21
4.4.2 Technical specifications for fans and pump .....	21
<b>5 COUPLING MODALITIES</b> .....	<b>23</b>
5.1 HITCHING TO THE TRACTOR .....	23
5.2 MOUNTING OF THE TRANSMISSION SHAFT .....	24
5.3 INSTALLATION OF REMOTE CONTROLS .....	24
5.3.1 Manual 2-tap distributor - P10 .....	24

**16 INTEGRATIVE DIAGRAMS**

**16.1 - HYDRO-PNEUMATIC DIAGRAM**



## 15.2. - REPLACEMENT OF ELECTRICAL PANEL'S FUSES

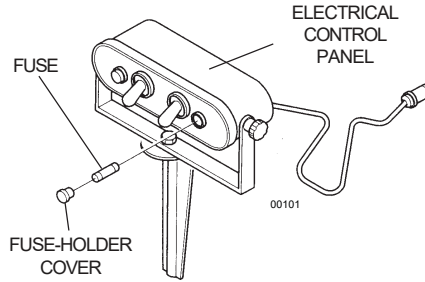


Stop the engine and remove the ignition key from the tractor's control panel.

1. Undo the fuse-carrier cover;
2. Replace the faulty fuse and screw back the cover.  
· Fuse: 1.25 A, delayed.



ANY OTHER INTERVENTION HAS TO BE CARRIED OUT AT A C.I.M.A. CUSTOMERS' SERVICING CENTER.



## 15.3. – PRESSURE GAUGE REPLACEMENT

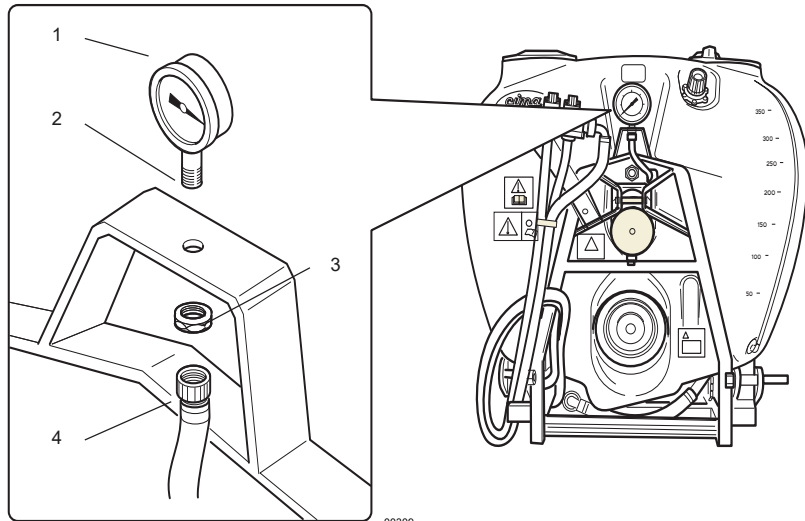


Stop the motor and remove the starting key from the tractor control panel.

1. Unscrew and detach the adapter (4) from the pipe fitting (2).
2. Unscrew the ring nut (3) and remove the pressure gauge (1), together with the pipe fitting (2).
3. Separate the defective pressure gauge (1) from the pipe fitting (2) and replace it.
4. Mount the new pressure gauge, by carrying out in reverse order the steps mentioned for its removal.



ANY OTHER INTERVENTION HAS TO BE CARRIED OUT AT A C.I.M.A. CUSTOMERS' SERVICING CENTER.



00309

50

5.3.2	Electrical control panel - E10 .....	25
<b>6</b>	<b>DISTRIBUTION DEVICES .....</b>	<b>26</b>
6.1	IDENTIFICATION CODES .....	26
6.2	POSITIONING OF FAN CASING .....	27
6.3	ELBOW FITTINGS OF DISTRIBUTION DEVICES .....	27
<b>7</b>	<b>ACCESSORIES .....</b>	<b>28</b>
7.1	FILLER PIPE .....	28
7.2	PAIR OF WHEELS .....	28
7.3	MANUAL TURN DEVICE .....	29
7.4	ELECTRICAL TURN DEVICE .....	29
<b>8</b>	<b>FILLING .....</b>	<b>30</b>
8.1	FOREWORD – USE OF THE FAN DISENGAGEMENT .....	30
8.1.a	Disengagement of the fan .....	30
8.1.b	Fan engagement to perform the treatment .....	31
8.2	FILLING THROUGH POURING FROM THE TOP .....	31
8.3	FILLING WITH THE SPECIFIC PIPE .....	32
<b>9</b>	<b>AGITATION .....</b>	<b>35</b>
<b>10</b>	<b>TANK AND HYDRAULIC CIRCUIT DRAINING .....</b>	<b>36</b>
<b>11</b>	<b>OPERATING PROCEDURES .....</b>	<b>36</b>
11.1	PRELIMINARY OPERATIONS TO TREATMENT .....	36
11.2	PREPARATORY OPERATIONS TO TREATMENT .....	36
11.3	THE TREATMENT .....	38
11.4	END OF TREATMENT - STORAGE .....	38
11.4.1	Daily .....	38
11.4.2	End of seasonal cycle .....	39
<b>12</b>	<b>LIFTING AND TRANSPORT .....</b>	<b>40</b>
<b>13</b>	<b>MAINTENANCE OPERATIONS .....</b>	<b>41</b>
13.1	LUBRICATION .....	41
13.2	FAN SHAFT SUPPORT OIL LEVEL CHECK .....	42
13.3	FAN SHAFT SUPPORT OIL REPLACEMENT .....	42
13.4	CLEANING OF FILTER'S CARTRIDGE .....	43
13.5	PURGING OF RESIDUES FROM FILTER .....	43

13.6	CLEANING OF THE FAN .....	43
13.7	FAN BELT TENSIONER .....	44
13.8	PUMP BELT TENSIONER .....	44
13.9	TANK REMOVAL OR REPLACEMENT .....	45
13.10	TABLE OF MAINTENANCE OPERATIONS .....	46
<b>14</b>	<b>FAULTS FINDING .....</b>	<b>47</b>
<b>15</b>	<b>REPAIRS ALLOWED .....</b>	<b>49</b>
15.1	ASSEMBLING OF PUMP CONTROL BELT .....	49
15.2	REPLACEMENT OF ELECTRICAL PANEL'S FUSES .....	50
15.3	PRESSURE GAUGE REPLACEMENT .....	50
<b>16</b>	<b>INTEGRATIVE DIAGRAMS .....</b>	<b>51</b>
16.1	HYDRO-PNEUMATIC DIAGRAM .....	51
16.2	WIRING DIAGRAM .....	52
<b>17</b>	<b>NOISE LEVEL .....</b>	<b>53</b>
<b>18</b>	<b>WARRANTY .....</b>	<b>53</b>
<b>19</b>	<b>ATTACHMENT : DECLARATION OF COMPLIANCE .....</b>	<b>54</b>

**15**

**REPAIRS ALLOWED**

**15**



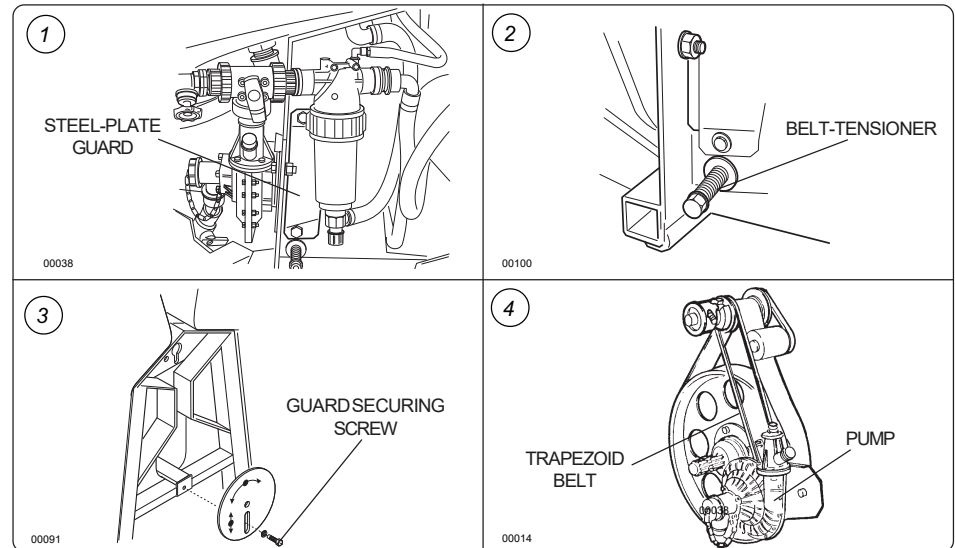
THE OWNER AND/OR THE OPERATOR OF THE SPRAYER ARE NOT PERMITTED TO MODIFY THE STRUCTURE OR THE SPECIFIC OPERATION OF THE SPRAYER ITSELF. ANY REPAIRING INTERVENTION HAS TO BE CARRIED OUT EITHER AT THE DISTRIBUTORS' OR AT THE C.I.M.A. S.p.A. AUTHORIZED WORKSHOPS, OTHERWISE ANY KIND OF WARRANTY IMMEDIATELY CEASES AND C.I.M.A. S.p.A. IS CLEARED OF ANY CONSEQUENT AND/OR IMPLIED RESPONSIBILITY.

**15.1 - ASSEMBLING OF PUMP CONTROL BELT**



Stop the engine and remove the key from the tractor's control panel.

1. Remove the steel-plate guard located on the frame behind the pump, unscrewing the two securing screws.
2. Completely unscrew the tightener spring adjusting screw: the pump support plate will so freely turn.
3. Open the coupling tunnel, below the 3<sup>rd</sup> connection point, rotating the mobile protection cover.
4. Insert the belt in the tank's tunnel, behind the third point. Feed the front part below the disengagement area and the rear area above, until it enters the upper pulley groove beyond the disengagement portion.
5. Insert the belt in the pump's pulley groove.
6. Reinstall the spring of the belt-tensioner according to the suggested tensioning conditions.
7. Re-assemble the steel-plate protection guards.



Carefully tighten the screws that were undone during the belt replacement.



2. CAUSE: the 2 drive outlets are out of alignment or are not parallel.  
**REMEDY:** *Position the 2 drive outlets (PTO) correctly.*

**E. FAULT: Continuous and abnormal noise level, accompanied by vibrations of fan unit.**

1. CAUSE: Broken fan shaft bearings.  
**REMEDY:** *Refer to the C.I.M.A. service point.*

**F. FAULT: Intermittent operation of the whole distribution device**

1. CAUSE: Faulty sealing of the hydraulic circuit, going from the tank's (T1) suction piping to the manual (P10) or electrical (E11) distributor.  
**REMEDY:** *Carefully inspect all the points at which suction of air can take place, including as well those at which no liquid seepage is detected. Check the proper tightening of ring nuts, fittings and clamps. Check the efficiency of the sealers and the integrity of the piping. Reinstate the efficiency and replace parts that might have been found to be defective.*

**G. FAULT: Intermittent spraying only on the one side of the distribution device**

1. CAUSE: Faulty sealing of the hydraulic circuit going from the manual (P10) or electrical (E11) distributor to the distribution point involved.  
**REMEDY:** *As per point F.1.*

**H. FAULT: No spraying action delivered: totally or only on the one side of the distribution device**

1. CAUSE: Manual distributor (P10) taps dirty or clogged, or pump suction piping clogged by hardened product deposits.  
**REMEDY:** *Clean.*
- 1b.CAUSE: Electrical distributor (E11) taps blocked by incrustations in the closed position.  
**REMEDY:** *After having lifted the lid off, turn the nut controlling the stroke of the tap.*
- 2b.CAUSE: Fuses of the electrical control panel interrupted when the electrical (E11) distributor's taps are closed.  
**REMEDY:** *Replace the fuses after having manually checked the solenoid valves' operation.*
- 3b CAUSE: Power cable W1 of the electrical panel wrongly connected with the taps of the electrical distributor (E11) in the closed position.  
**REMEDY:** *Connect correctly.*
4. CAUSE: Defective electrical connections.  
**REMEDY:** *Refer to the C.I.M.A. service point.*
5. CAUSE: Pump defective (only in case total delivery missing).  
**REMEDY:** *Refer to the C.I.M.A. service point.*
6. CAUSE: Broken pump belt.  
**REMEDY:** *Replace the belt (See Paragraph 15.1).*



**THE CAUSES AND REMEDIES FOR THE FAULTS CONCERNING THE DELIVERY OF THE SPRAYING BY ONE OR MORE DIFFUSERS ARE INDICATED IN THE USE AND MAINTENANCE MANUAL OF EACH SPRAYHEAD.**

**1.1 - PUBLICATION IDENTIFICATION**

The "OPERATION AND MAINTENANCE INSTRUCTIONS" manual is an integrative part of the sprayers. It is identified by a Publication No. located on the third cover page, and through which the document can be identified, traced and/or subsequently referred to.  
 The information elements contained herein are updated as at the date of publication. C.I.M.A. S.p.A. reserves the right to modify its machines without notice, with the purpose of applying technical enhancements, and it declines all responsibility for possible omissions from the publication.

**1.2 - ATTACHED PUBLICATIONS**

- Spare parts catalogue;
- Distribution devices, "Operation and maintenance instruction"
- Distribution devices, "Spare parts catalogue"
- "Low Volume - Instructions for sprayer adjustment"
- "Modalities for filling through the specific pipe" diagram
- "Modalities for filling through pouring from the top" diagram

**1.3 - PURPOSE OF PUBLICATION**

All indications contained in this manual are aimed at the user of the sprayer.  
 The duration of the machine and its operation, the operator's safety and the respect for the environment are dependent upon scrupulous observance of the stated norms.  
 Before making use of the sprayer, the user must read, understand and abide by all regulations listed in this manual.

**1.4 - REFERENCE TO REGULATIONS**

This manual was set out conforming to the regulations contained in following documents:  
 — Attachment "I" to Directive 89/392/C and subsequent modifications (letters "b", "c" of point 1.1.2 and point 1.7.4);  
 — UNI EN 907 - 1997 and to all the documents in it quoted.

**1.5 - USING THE MANUAL**

Read every part of this manual, paying attention to the **WARNING** and **DANGER** indications both on the text and on the machine or on components.  
 All operations suggested by the manual will have to be followed with the utmost care and only after having understood the negative consequences of improper usage.

The following “symbols “ are used within the text in order to highlight and visually identify the importance of the various types of information:



Indicates important additional information



Non observance can result in permanent damage to the sprayer.



Highlights possibly dangerous situations to people.

The manual, with relevant attachments and possible integrating issues, must be kept with the utmost care and must always be complete, integer and legible in every part. Should it be mislaid it is imperative to immediately request a duplicate from C.I.M.A. S.p.A. Should the decals originally applied on the machine be mislaid, damaged or become incomprehensible, they should be promptly replaced.

For every type of distribution device (Head) delivered with the sprayer, a specific user and maintenance manual is attached. All the head manuals must always accompany the one of the machine.



- The manual must always be kept for the sprayer's whole operational life.
- Any modification received must be permanently inserted in this publication.
- The manual must be ceded with the sprayer should this be sold.

## 1.6 - UPDATES

Possible updates that C.I.M.A. S.p.A. will provide the owner of the sprayer will be accompanied by instructions to insert in this publication.

Should the machine be sold, the owner must inform the new purchaser that he should notify C.I.M.A. S.p.A. of his address in order to receive possible future integrating issues and/or updates.

### A. FAULT: By utilising the filler piping the pump doesn't operate (suction)



It is necessary to disengage the drive outlet (PTO) and wait for it to stop rotating before repeating the filling operation.

1. CAUSE: the quantity of water poured into the tank is insufficient to trigger the pump.  
**REMEDY:** *Add water to the tank until the pump starts its cycle.*
2. CAUSE: the filler piping sucks in air.  
**REMEDY:** *Completely submerge the suction filter of the filler piping.*
3. CAUSE: Hydraulic circuit not sealing properly.  
**REMEDY:** *Check the tightening of ring nuts, fittings and clamps. Check the efficiency of sealers and that piping elements are not cracked or broken. Replace parts that are possibly found to be defective.*
4. CAUSE: Slipping of the pump's belt.  
**REMEDY:** *Check the tension of the belt-tensioner's spring.*
5. CAUSE: The pump's belt might be broken.  
**REMEDY:** *Replace the belt.*
6. CAUSE: Defective pump.  
**REMEDY:** *Contact the C.I.M.A. Customers' service.*

### B. FAULT: Leakage and dripping from the pump

1. CAUSE: Non-sealing of the fittings and clamps connecting the piping to the pump.  
**REMEDY:** *Check for proper tightening of ring nuts and clamps. Check the efficiency of the sealers. Replace parts that are possibly found to be defective.*
2. CAUSE: The sealers (O.Rings) of the external coupling flanges don't seal the pump properly.  
**REMEDY:** *Refer to the C.I.M.A. service point.*
3. CAUSE: Mechanical sealing defective.  
**REMEDY:** *Refer to the C.I.M.A. service point.*

### C. FAULT: Drop in pressure of the hydraulic circuit signalled by the gauge

1. CAUSE: Dirty filter.  
**REMEDY:** *Clean the cartridge*
2. CAUSE: Faulty sealing of the hydraulic circuit.  
**REMEDY:** *Check the operation of the pump and its belt. Check the proper tightening of ring nuts, fittings and clamps. Check the efficiency of the sealers and the integrity of the piping. Replace the parts that are possibly found to be defective.*
3. CAUSE: Centrifugal pump defective. See "B".  
**REMEDY:** *As per point "B".*
4. CAUSE: Gauge defective.  
**REMEDY:** *Refer to the C.I.M.A. service point.*

### D. FAULT: Vibration of fan unit

1. CAUSE: Fan dirty.  
**REMEDY:** *Clean. (It is advisable to refer to the C.I.M.A. service point).*

## 13.8 - TABLE OF MAINTENANCE OPERATIONS

CHECK	SEASON START TREATMENTS	BEFORE EVERY TREATMENT	END OF EVERY TREATMENT	SEASON-END TREATMENTS
Fan belt-tensioner spring: CHECK LENGTH 9-12cm.	YES	YES	**	**
Pump belt-tensioner spring: CHECK LENGTH 4-5cm.	YES	YES	**	**
Fan shaft support: CHECK OIL LEVEL	YES	YES	**	**
Fan shaft support: REPLACE OIL LEVEL	**	**	**	YES
Tank : CHECK SECURING TIE ROD AND ANCHORING BRACKET	YES	YES	**	**
Fan belt-tensioner support: GREASING	**	**	**	YES
Pump bearing: OILING	**	**	**	YES
Free wheel: GREASING	**	**	**	YES
Filter: CHECK CLEANING	**	YES	YES	YES
Fittings and piping: CHECK GOOD CONDITION	YES	YES	**	YES
Clamps and fittings: CHECK PROPER TIGHTENING	YES	YES	**	**
Hydraulic circuit and tank: COMPLETELY DRAIN AND WASH	**	**	YES	YES
Sprayer: EXTERIOR WASHING	**	**	YES	YES
Sprayer: STORAGE	**	**	**	YES
Wheel hubs' fastening screws: CHECK THE TIGHTENING	YES	YES	**	**
Wheels' fastening screw nuts: CHECK THE TIGHTENING	YES	YES	**	**
Tyre pressure: CHECK	YES	YES	**	**

UMAPT12GB

### 2.1 - TERMINOLOGY

The terms FRONT, REAR, RIGHT and LEFT utilised in this publication refer to the sprayer as seen by an operator from behind the operative unit along the drive line and facing it: **the rear part** of the machine is that closest to the operator, and is where the distribution device (Head) is mounted - and **the front part** is the one that gets attached to the tractor.

### 2.2 - ABBREVIATIONS

g	.....	grams
h	.....	hour
ha	.....	hectare
ha/h	.....	hectare per hour
l	.....	litres
l/h	.....	litres per hour
l/ha	.....	litres per hectare
kg	.....	kilogram
kg/cm <sup>2</sup>	.....	kilograms per square centimetre (atmosphere)
km	.....	kilometre
km/h	.....	kilometres per hour
Lm	.....	width in metres
m	.....	metre
Mesh	.....	N° of meshes per linear inch
Micron	.....	1/1000 of millimetre
PTO	.....	power take-off
RPM	.....	revs per minute
s	.....	seconds

### 2.3 - DECALS

The safety and use/maintenance decals applied to the machine are described in the following paragraph.



Every decal is marked with its part number, in case it needs to be replaced.

### Safety

- **95001 - STOP THE ENGINE AND REMOVE THE KEY FROM THE TRACTOR'S CONTROL PANEL BEFORE CARRYING OUT ALL MAINTENANCE OR REPAIR OPERATIONS**  
- Positioned on the left-hand side of the tank in the forward part of the machine.
- **95004 - DANGER OF CONTAMINATION BY CONTACT OR POISONOUS PRODUCTS INHALATION**  
- Positioned above the tank, in the forward part, next to the filler spout.

- 3 - 95005 - **DANGER, PARTS IN MOTION. BEFORE REMOVING PROTECTION GUARDS, STOP THE TRACTOR, REMOVE THE KEY FROM THE TRACTOR'S CONTROL PANEL AND ENSURE THAT ALL MOVING PARTS HAVE STOPPED**
  - Positioned on the fan casing next to the outflow vent.
- 4 - 95015 - **BEFORE UTILISING THE RELEASE DEVICE, STOP THE TRACTOR, REMOVE THE KEY FROM THE TRACTOR'S CONTROL PANEL AND ENSURE THAT THE FAN HAS STOPPED**
  - Positioned on the tank in the forward part of the machine, on the mobile protection cover of the access to the release device.
- 5 - 95010 - **MAXIMUM OPERATING SPEED OF THE DRIVE OUTLET (PTO): 540 RPM**
  - Positioned on the forward part of the machine, on the lower part of the tank and close to the drive outlet.
- 6 - 95007 - **DANGER OF SPRAYS: KEEP AT A SAFE DISTANCE**
  - Positioned on the upper part of the fan casing.
- 7 - 95006 - **WARNING: CONSULT THE USER AND MAINTENANCE MANUAL BEFORE USING OR INTERVENING ON THE MACHINE**
  - Positioned on the left-hand side of the tank, in the forward part of the machine.
- 8 - 95009 - **DANGER: GLOVES MUST BE USED TO EMPTY THE TANK**
  - Positioned on the right hand side and lower part of the tank.
- 9 - 95012 - **DANGER: MOUNT THE WHEELS AFTER HAVING HITCHED THE MACHINE TO THE HOISTER AND DISMANTLE THEM BEFORE UNHITCHING THE MACHINE FROM THE HOISTER**
  - Positioned on the right hand side and lower part of the tank.

## Use and maintenance

- 10 - 95059 - **HOOKING POINT FOR THE LIFTING OF THE MACHINE**
  - Positioned on the frame, above the fan's casing.
- 11 - 95079 - **CHECK THE OIL LEVEL EVERY 8 HOURS: FAN SHAFT BEARINGS**
  - Positioned on the chassis, over the fan casing.
- 12 - 95054 - **GREASE EVERY 200 HOURS: FAN TIGHTENER SUPPORT, FREEWHEEL AND WHEEL HUBS**
  - Positioned on the chassis, in the low, rear side, on the left.
  - Positioned in the front section, on the tank, in a low position near the Power Takeoff.
  - Positioned on the wheel (accessory).
- 13 - 95060 - **INDICATION OF THE WHEELS OPERATING PRESSURE (ACCESSORY)**
  - 95056 - Positioned on the wheel (accessory).
- 14 - 95057 - **HAND WASHING TANK TAP**
  - Positioned on the right-hand side of the tank, next to the tap.
- 15 - 95065 - **WARNING: NEVER OPERATE THE SPRAYER WITHOUT LIQUID IN THE TANK**
  - Positioned on the forward part of the tank, above the gauge.
- 16 - 95076 - **LUBRICATE EVERY 6 MONTHS: PUMP BEARINGS**
  - Positioned on the unit's left side, on the chassis behind the pump.
- 17 - 95069 - **INDICATIONS FOR THE USE AND MAINTENANCE OF THE SOLENOID VALVES**
  - Positioned on the tank, on the side of the electrical distributor.
- 18 - 95058 - **INDICATION ON THE OPERATION OF THE 3-WAY TAP (P5)**
  - Positioned on the left-hand side of the tank, above the pump..

## 13.9 - TANK REMOVAL OR REPLACEMENT



This operation has to be carried out by a C.I.M.A. service point



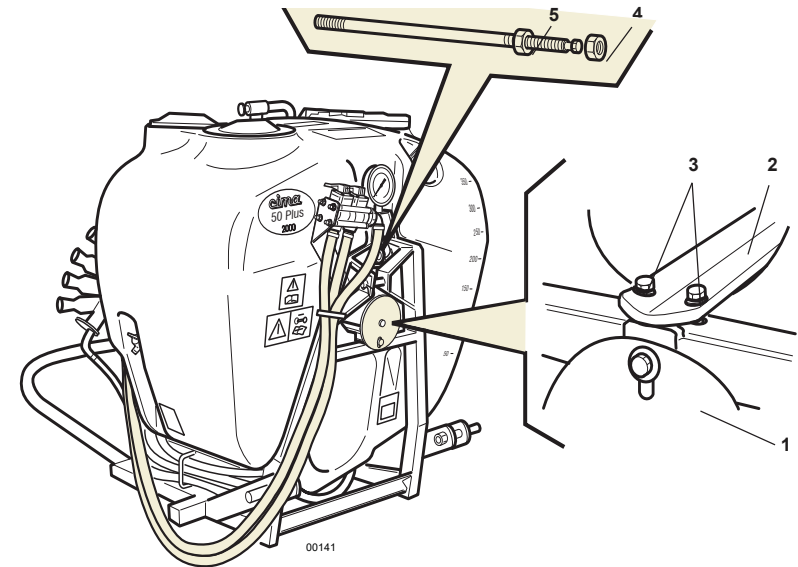
The operation has to be carried out by complete absence of liquid residuals both inside the tank and in the hydraulic circuit

1. Free the tank of its hydraulic and pneumatic connections.
2. Dismantle the mobile protection cover (1) of the coupling.
3. Remove the tank securing bracket (2), undoing the 2 screws (3).
4. Undo the external nut (4) of the tie rod.
5. Tighten the internal nut (5) of the tie rod, utilising the spanner provided, moving it away from the plate.
6. Undo the tie rod from its securing point, located in the rear part of the frame. Remove it through the large hole on the frame's plate.
7. Replace or reassemble the tank.
8. Re-position the tie-rod in its seat, in other words the smaller one, first inserting it through the big hole.
9. Tightly screw in and secure the tie rod to the rear plate of the frame.  
N.B. Lock tightly and with utmost care.
10. Unscrew the internal nut (5) of the tie rod, slightly tightening it against the plate.
11. Securely tighten the external nut (4) of the tie rod against the plate.
12. Reassemble the tank's securing bracket (2), fastening it with the 2 screws (3).



Before every intervention, check the proper tightening of the 2 securing screws of the tank's mounting bracket..

13. Reassemble the mobile protection lid of the disengaging device, by securing it with the relevant screw.
14. Reinstall the hydraulic and pneumatic connections.



1. Remove the distribution device (head).
2. Remove the fastening collar (1), fixing the fan casing outlet orifice to the union elbow.
3. Remove the two collar (5) fastening bolts, fixing the fan casing to the rear cover.
4. Remove the collar (5), locking the fan casing to the rear cover.
5. Extract the fan casing (2).



**The impeller hasn't to be disassembled.**

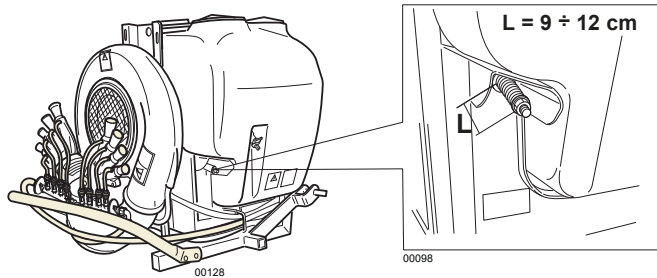
6. Clean the impeller, by avoiding to use high pressure water jets: they can cause infiltrations into the fan shaft support and consequently damage the bearings.
7. Mount back the casing (2), by paying a particular attention to get it perfectly coupled with the rear cover.
8. Fasten the fan casing, with the collar (5), to the rear cover and with the collar (1) to the union elbow.
9. Mount back the distribution device (head).



**Carefully tighten all the fastening collars' bolts.**

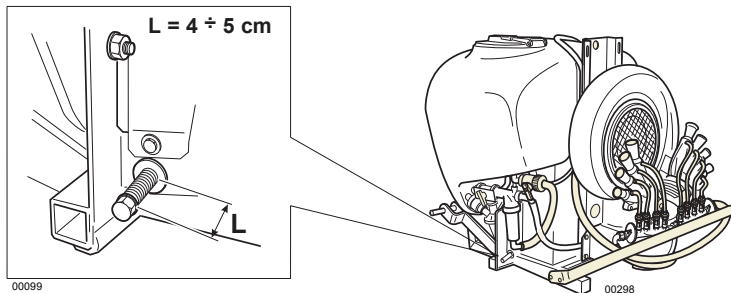
### 13.7 - FAN BELT TENSIONER

Check length "L" of the spring (refer to Picture): it should be in tension between **9 and 12 cm**

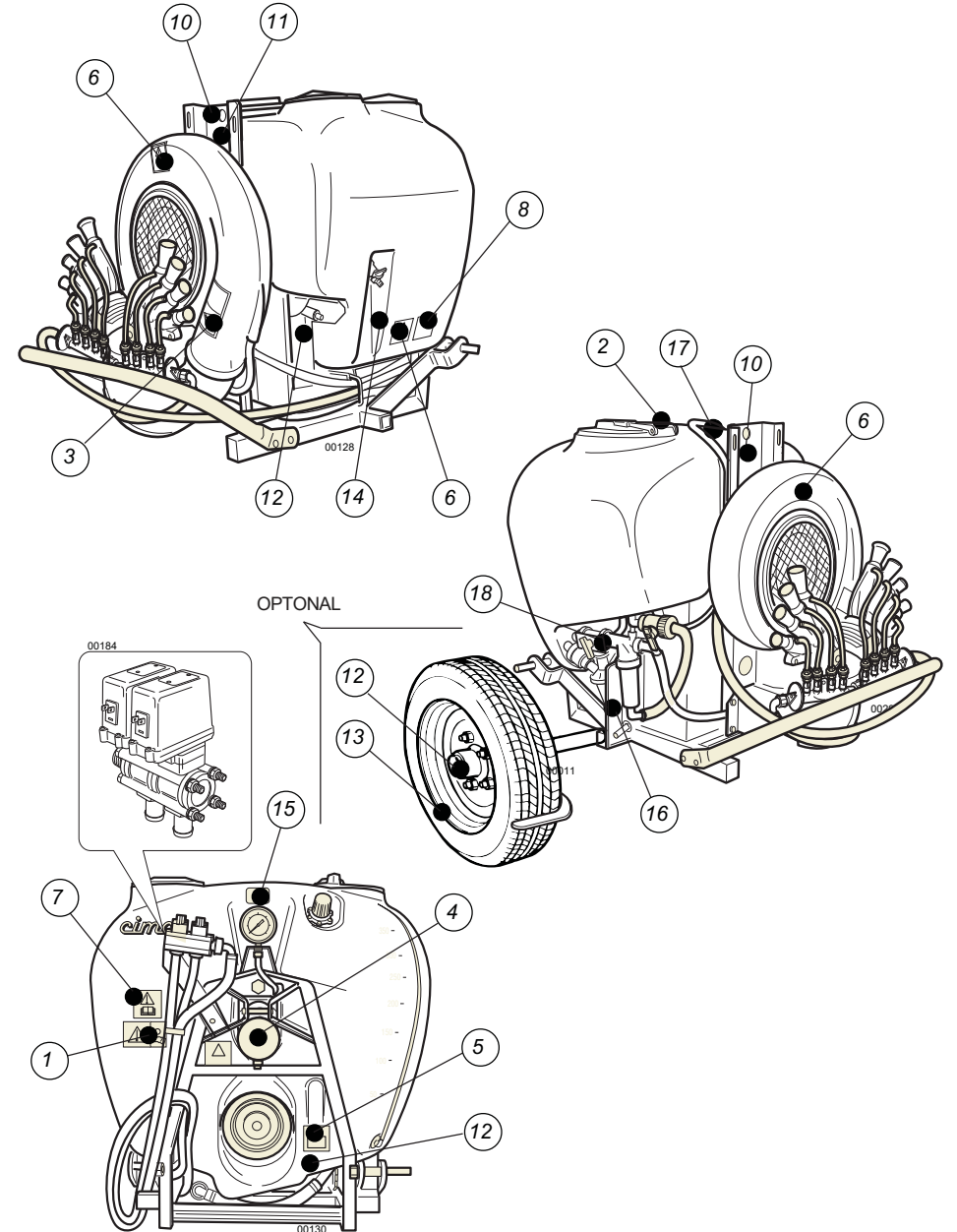


### 13.8 - PUMP BELT TENSIONER

Check length "L" of the spring (refer to picture): it should be in tension between **4 and 5 cm**.

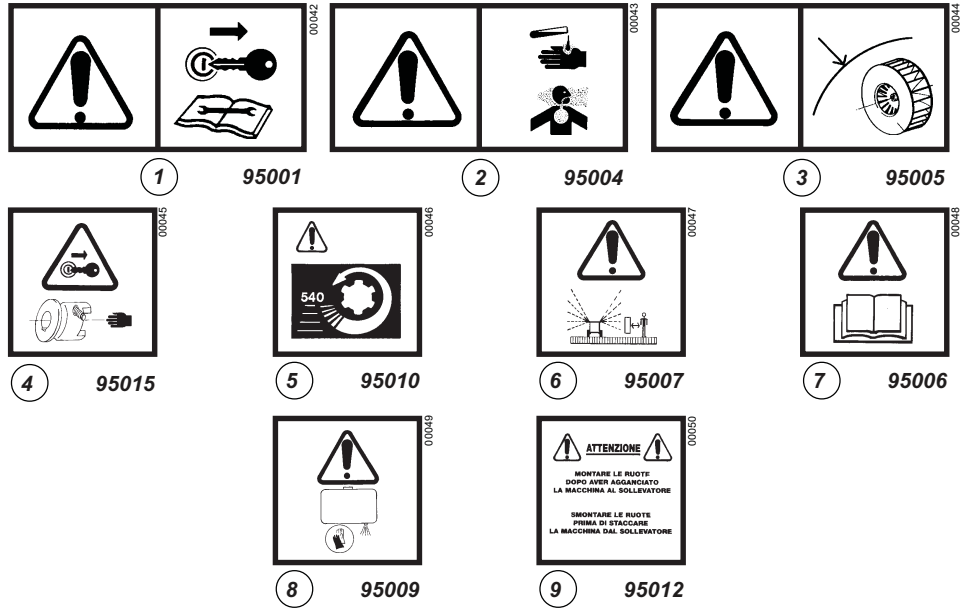


### Positioning of the safety, use and maintenance decals

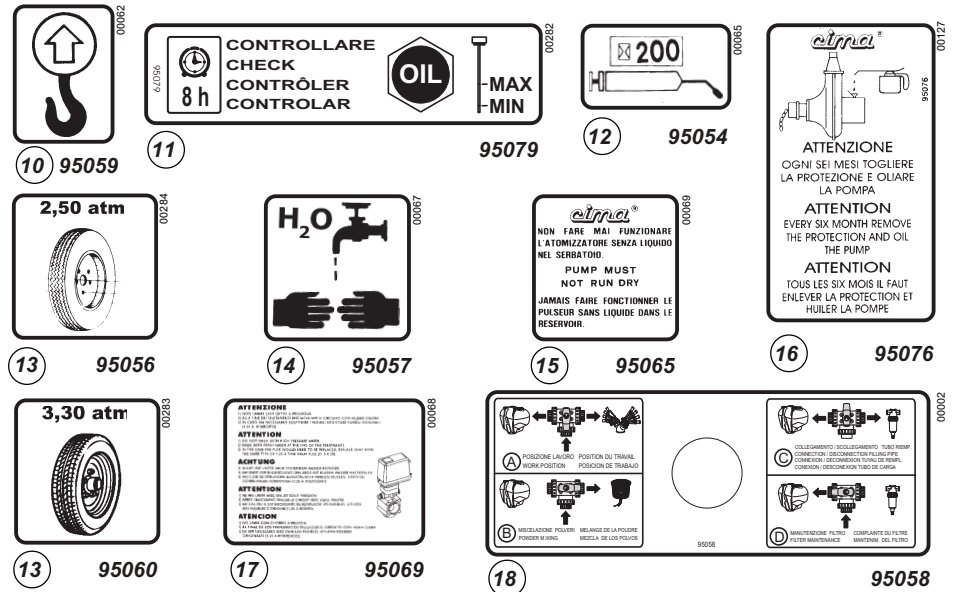




\* Safety decals

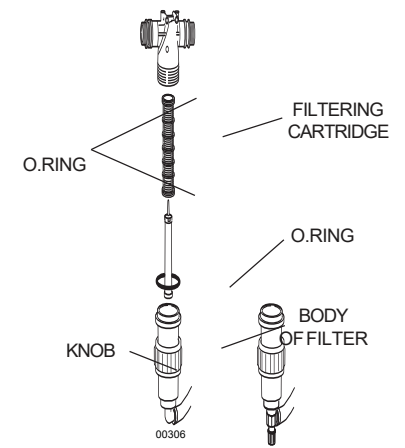


\* Use and maintenance decals



13.4 - CLEANING OF FILTER'S CARTRIDGE

1. Set the lever of 3-way tap (P5) to the "d" position
2. Close the manual distributor's taps (P10), or electrical (E10).
3. Undo the thumb screw and remove the body of the filter.
4. Extract the cartridge: clean the grill and the retaining "O" Ring.
5. Reassemble the cartridge and secure the lid with the thumb screw. Pay attention to the assembling of the lid's "O" Ring as the incorrect sealing of the filter will jeopardise the proper operation of the sprayer and cause loss of the mixture.



13.5 - PURGING OF RESIDUES FROM FILTER

With the machine in operation and the taps of the manual (P10) or electrical (E10) distributor closed. Opening the tap (P12), the delivery flow will drag possible sludge to the bottom of the filter within the tank through the piping (T4) thus partially cleaning the filtering cartridge. Close the tap when the operation is completed.

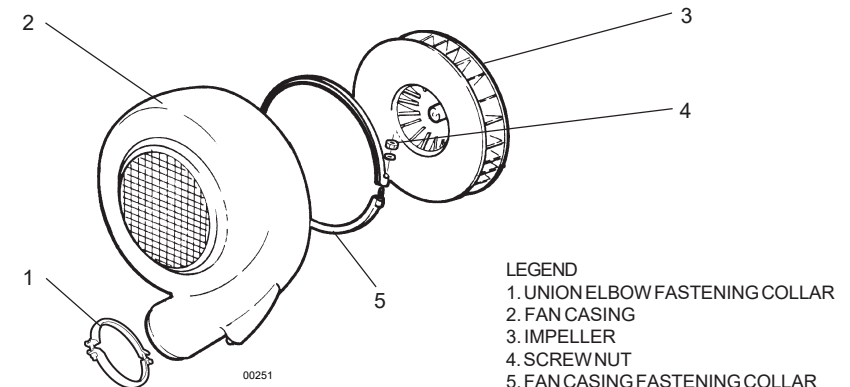


When the machine is in operation, check that the drain tap is closed before opening the main feeder.

13.5 - CLEANING OF THE FAN



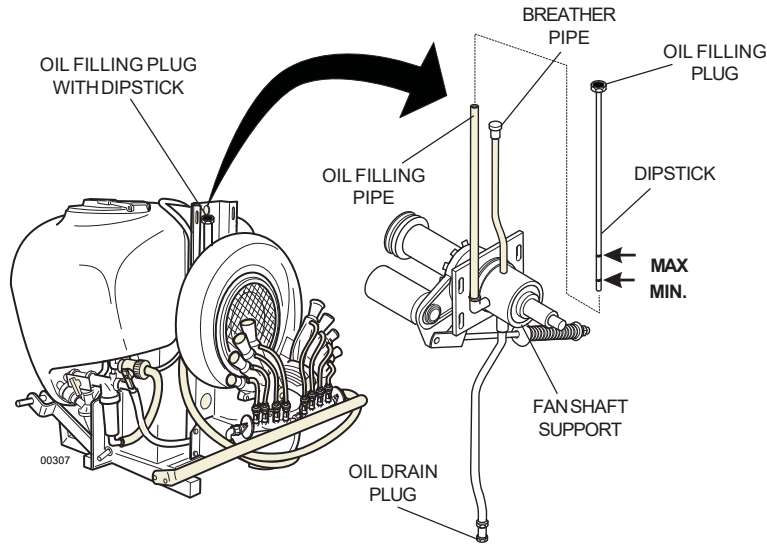
It is advisable for the cleaning of the fan to be carried out at a C.I.M.A service point. Dirt accumulation or incrustations can unbalance the fan, inducing vibrations that could cause breakage



- LEGEND
1. UNION ELBOW FASTENING COLLAR
  2. FAN CASING
  3. IMPELLER
  4. SCREWNUT
  5. FAN CASING FASTENING COLLAR

### 13.2 - FAN SHAFT SUPPORT OIL LEVEL CHECK

1. Unscrew and remove the oil filling plug with the dipstick.
2. Clean the dipstick and introduce it again.
3. Extract the dipstick and check the oil level, which has to be between the two minimum and maximum level notches of the dipstick itself.  
Should it be necessary to top up the level, add some SAE 90 oil, up to reach the dipstick upper notch (MAX).
4. Introduce and screw the oil filling plug with the dipstick.



### 13.3 - FAN SHAFT SUPPORT OIL REPLACEMENT



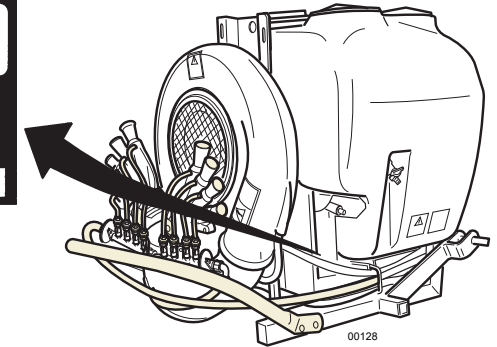
Let the fan support oil replacement intervention be carried out at a C.I.M.A. customers' service centre.

1. Unscrew and remove the oil filling plug with the dipstick.
2. Remove the oil drain plug and let the oil completely flow out from the fan shaft support.
3. Check the oil drain plug and the relevant seal for integrity, replace them, if necessary, and close again the oil drain plug.
4. Through the filling pipe, pour a SAE 90 oil proper quantity, up to reach the MAX notch on the dipstick:
  - about 0,10 kg for the PLUS 42 and 45 models
  - about 0,18 kg for the PLUS 50 and 55 models.
5. Position again the plug with the dipstick and close the oil filling pipe.

### 3.1 - MACHINE IDENTIFICATION



Identification nameplate



### 3.2 - TECHNICAL ASSISTANCE

C.I.M.A. S.p.A. is at the complete disposal of customers for any type of intervention. The names and addresses of its service network, both in Italy and in foreign countries, can be requested from:

**C.I.M.A. S.p.A. - 27040 Montù Beccaria - Loc. Molino Quaroni (PV) - ITALIA**  
 tel. 0385-246636 - fax 0385-246637  
 from abroad tel. +39-0385-246636 - fax +39-0385-246637  
 e.mail [tecnico@cimaitalia.com](mailto:tecnico@cimaitalia.com)

### 3.3 - SAFETY NOTICES

All the preparation, use, maintenance, moving and transporting operations must be carried out only after having acquired a perfect knowledge of the regulations contained in this publication and the ability to appropriately interpret the symbols of the decals applied to the machine.




**IT IS FORBIDDEN TO UTILISE THE SPRAYER FOR PURPOSES OTHER THAN FOR ITS INTENDED USE, SINCE IT WAS MANUFACTURED ONLY FOR SPRAYING AGRICULTURAL CROPS WITH ANTI-PARASITIC PRODUCTS.**

It is necessary to scrupulously abide by the following general norms:


- always stop the tractor's engine before carrying out any operation on the sprayer;
- check that the weight and power of the tractor are compatible with the sprayer to be used;
- before utilisation, check the correct tightening and securing of the machine's various components, paying particular attention to the safety protections and to the moving parts;
- only utilise protected cardan shafts provided with CE conformity certification.  
Carry out the assembly only if the drive outlets of both tractor and sprayer are equipped with the protection counter-guard;
- check that the cardan shaft is blocked by the appropriate anti-rotation chains;
- keep people and animals away from the machine before starting it up;

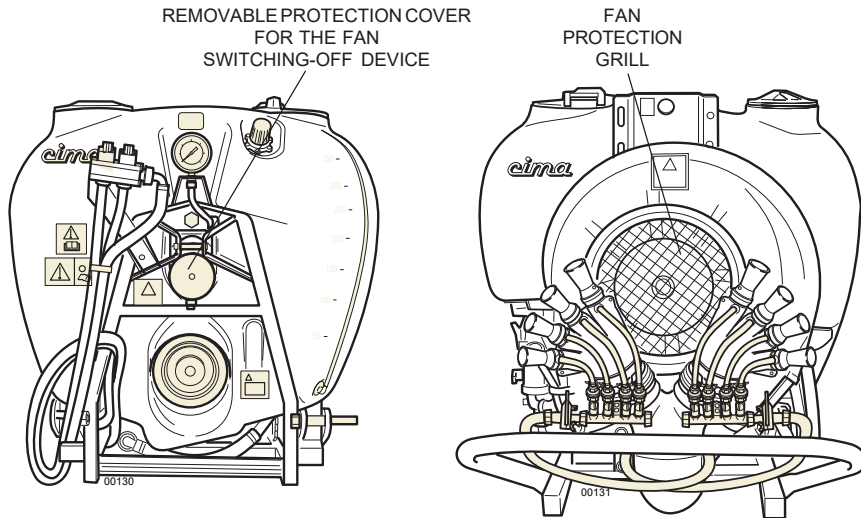
- don't wear articles of clothing that might get caught in moving parts;
- keep to a low speed while negotiating bumps or crossing ditches.

-  - All maintenance and repair operations must be carried out only after having rinsed the tank and flushed the system.
- Before operating within the tank it is necessary to wash it thoroughly with clean water.
- It is forbidden to perform welding operations if ammonium salts were previously used.
- It is forbidden to use the machine within a potentially explosive environment.
- The application of paints and/or solvents, the washing of closed environments and machinery as well as the utilisation of the air flow for purposes other than those expressly concerning the spraying of agro-chemicals is not permitted.
- It is forbidden to enter the tank.


### 3.4 - SAFETY SYSTEMS

All machine moving parts are suitably protected by guards and highlighted through the use of warning decals.

-  - It is forbidden to use the machine with these guards removed.
- Before removing the protection, stop the tractor's engine and remove the key from the control panel.




The pictures illustrate the machine's guarded parts:

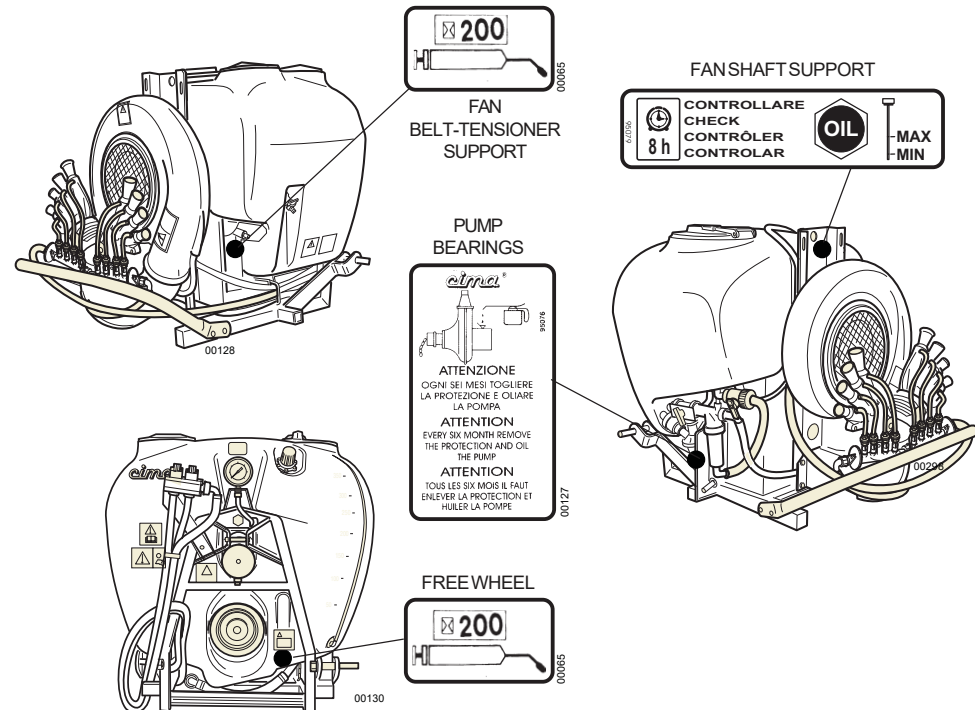
 **THE OWNER AND/OR THE OPERATOR OF THE SPRAYER ARE NOT PERMITTED TO MODIFY THE STRUCTURE OR THE SPECIFIC OPERATION OF THE SPRAYER ITSELF. ANY REPAIRING INTERVENTION HAS TO BE CARRIED OUT EITHER AT THE DISTRIBUTORS' OR AT THE C.I.M.A. S.p.A. AUTHORIZED WORKSHOPS, OTHERWISE ANY KIND OF WARRANTY IMMEDIATELY CEASES AND C.I.M.A. S.p.A. IS CLEARED OF ANY CONSEQUENT AND/OR IMPLIED RESPONSIBILITY.**

-  **ALL OPERATIONS MUST BE CARRIED OUT WITH THE ENGINE SWITCHED OFF AND WITH THE IGNITION KEY REMOVED FROM THE CONTROL PANEL.**

### 13.1 - LUBRICATION

Maintenance point	Action	Consumption material	Periodicity
Fan shaft bearings support	Check oil	Oil SAE 90	8 hours
Fan belt-tensioner support	Greasing	Grease Type EP Classe NLGI 2	200 hours
Pump bearings	Oiling	Engine oil	6 months
Free wheel	Greasing	Grease Type EP Classe NLGI 2	200 hours
Wheel hubs	Greasing	Grease Type EP Classe NLGI 2	200 hours
Fan shaft bearing support	Change oil	Oil SAE 90	Yearly

-  • Carefully clean the greasing nipples and the oil filler in order to avoid that, during lubrication, dirt might be introduced.







**THE FOLLOWING ACTIONS ARE NOT ALLOWED:**

- Transporting or lifting the sprayer with residual quantities of mixture in the tank for purposes differing from its destined usage.
- The transporting of people, animals or things.
- The trailing of vehicles or equipment.



Road transport must take place in the complete observance of road regulations in force in the Country where the machine is used.

- When the footprint of the sprayer exceeds that of the tractor, the specific notice sign for overhanging loads needs to be attached on the rear.
- It is necessary to replicate the tractor's number plate and tail lights when these are covered by the machine.

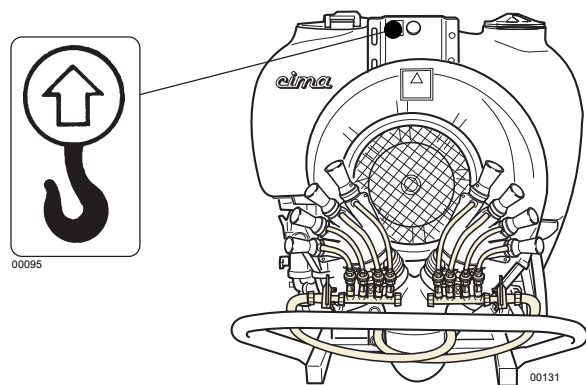
The operator is responsible for possible defaults due to the non observance of said regulations.

**• Lifting and transport of the sprayer**



Before carrying out any operation it is essential to verify that no mixture residues are left in the tank.

1. Check that the cables or chains used for the lifting are adequate for the weight to be lifted (machine – distribution devices - accessories).
2. Hook the machine through the specific support point indicated by the specific decal on the frame, checking all the parts involved in the operation.
3. Lift the machine, verifying that it is properly balanced.



4. Position the sprayer on the transporting vehicle in perfectly stable conditions.
5. During transport the machine must be immobilised and fastened to the carrier by way of suitable strapping.

**3.5 - HANDLING OF AGRO-CHEMICALS**

The **operator** could become contaminated due to accidental spray, contact or inhalation of products or crop-spraying mixtures.

The **environment** could become polluted by mixture over-spills, puncturing of containers, uncontrolled storage of used and unwashed containers or spillage into waterworks.

In order to avoid these risks the preparation and filling operations must be carried out in suitably appointed and adequately equipped sites.

**3.5.1 - Storage**

**Fixed / stationary:** the site used must be well ventilated and secured by lockable doors in order to prevent even accidental access by children or unauthorised persons.

**Mobile:** the carrier equipment must be properly locked and kept under conditions whereby access by children or unauthorised persons can be prevented during the absence of the operator. All full or partially utilised containers must be secured against tipping, falling or breakage during transportation.

Both types of storage must:

- have a suitable container for the storing of empty packaging materials should a specific storage area not be available;
- have a clean water supply readily available for washing, by means of a specific container or through connection to the waterworks system;
- have the use of fire extinguishers, should flammable products and substances be stored.



- All packages, whether whole or partially utilised, must be stored in their original packing and with the warning instructions clearly displayed and legible.
- The storage indications must always be scrupulously adhered to, as well as their utilisation and possible disposal as suggested on the product's original packaging.

**3.5.2 - Specific equipment**

The site at which the preparation and filling out will take place must provide for:

- all the equipment necessary to the precise measuring of both the water quantity and the dose of product to be mixed in the tank at every filling;
- all the equipment and means useful to the preparation of the mixture and for the cleaning of the operator in case of contamination;
- all tools necessary to facilitate the direct introduction of the agro-chemicals in the tank;
- the allocation of clothing and specific equipment in order to avoid contamination by contact or inhalation during the whole operative phase of the intervention;
- the availability of proper equipment able to stop the uncontrolled spilling and flowing of the mixture;
- a retaining valve on the feed pipe when the filling of the tank takes place directly from the waterworks system.

**3.5.3 - Disposal of empty containers and agro-chemicals residues**

Agro-chemicals are classified as "special" waste and their disposal must take place separately from "urban" wastes.



Empty packaging and contaminated containers to be done away with cannot be dispersed, burned or buried.

The washing water for the cisterns and the tools utilised for the preparation of mixtures cannot be emptied on the ground, spilled into the sewage system or in waterways and rivers.

The disposal of special wastes is regulated by specific norms. In order to perform this operation it is necessary to obtain the relevant information from the Local Offices specifically appointed to rule on this subject. The non compliance with these regulations can cause considerable damage to persons and animals as well as polluting the environment.

### 3.5.4 - Personal means of protection

The toxicity of agro-chemicals forces persons working with them to wear adequate protective clothing and accessories in order to avoid risks of contamination by contact or inhalation.

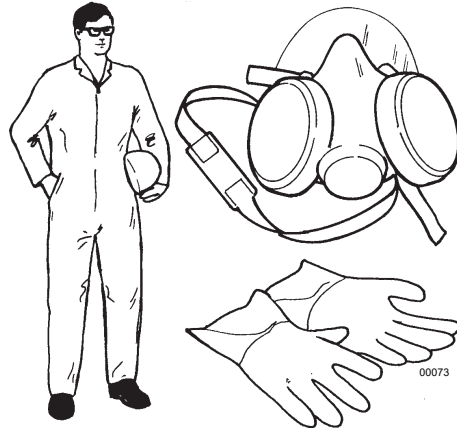
In each of the following work stages:

- filling of tanks and adding of the agro-chemical,
- dusting and spraying,
- adjusting of the sprayer,
- emptying and cleaning of the tank,
- replacement of the agro-chemical,
- maintenance interventions,

it is necessary to wear personal protection clothing and accessories.

The following must be worn:

- Polyethylene or polyvinyl gloves.
- Full, waterproof cotton overalls, in order to guarantee transpiration, fitted with polypropylene side flaps. In commerce, one-time 'tyvek' overalls are available which, after use (see picture), must be disposed of according to the modalities applicable to toxic waste.
- A protective half-mask in polychloroprene rubber with 1 or 2 filters. Filters for gases and organic fumes, of European A1-class vapours, are envisaged and these can be combined with anti-dust models of P1 European class, for harmful mists and powders, or P2, for harmful and toxic mists and powders.



**The filters must be replaced:**

- when the smell/taste of agro-chemicals can be detected, and that of active A1-class carbons;
- when difficulty in breathing is experienced for the anti-dust filters of class P1 and P2.

In any case it is necessary to make use of all personal means of protection as suggested by the manufacturers.

d. Clean out the filter cartridge.

e. Keep the machine in a ventilated place, sheltered from rain or sun: sunrays are the worst enemies of plastic and rubber parts.

### 11.4.2 - End of seasonal cycle

• **The operator must:**

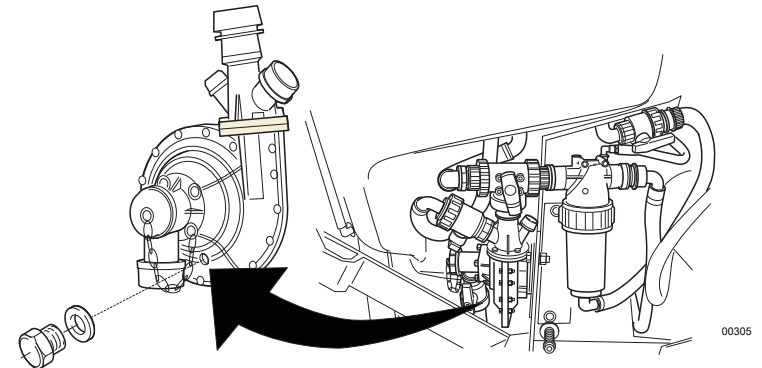
a. Take the utmost care in carrying out the operations envisaged at the end of the daily treatments: the cleaning of the hydraulic circuit must be done at least twice. Check that no product residues are left in any part of the circuit.

b. Lubricate all the greasing points, replace the fan support oil, then let the atomizer operate for some minutes.



**THE PUMP HAS NEVER TO DRY-OPERATE.**

c. Completely drain the hydraulic circuit, paying a special attention to the centrifugal pump; in order to completely drain the pump, remove the draining plug, which is mounted on the pump itself.



**Avoid using anti-freeze solutions.**

d. Check the proper operation of all parts and of the machine structure. In case of faults being detected, request the intervention of one of our service points.

e. Keep the machine in a well ventilated place, sheltered from rain, icing and direct sun rays.



**The use of detergent products for the cleaning operations is allowed only in the observance of the regulations in force. For these, the operator must gather the relevant information from the specifically appointed bodies ruling on this subject.**

## 11.3 - THE TREATMENT



IT IS ADVISABLE TO BEGIN TREATMENT AT THE HEADLANDS..

• **The operator must:**

- a. shake the mixture in the tank before starting the treatment, re-circulating it completely for as long as it takes to make it homogeneous.
- b. continue to shake the mixture until the treatment is resumed should the intervention momentarily be interrupted. If the utilisation is to be deferred, check that the filter cartridge is clean before resuming and **agitate the mixture** that has remained in the tank.
- c. ensure that the hand wash supplementary tank is filled with clean water after each filling operation.
- d. make use of individual protections identical to those envisaged for the preparation of mixtures if the tractor is not equipped with a pressurised cabin with aeration filters.
- e. wash immediately all the elements that might have become contaminated during the treatment, promptly remove the polluted garments and **interrupt the work if these cannot be immediately replaced**.
- g. keep to the preliminary operations already indicated (11.1.c), in case of wind conditions prevailing.
- h. stop the engine, remove the key from the tractor's control panel and lower the hoist during stoppages.
- i. pay particular attention to the treatment when close to boundaries and in proximity of dwellings, waterways, roads or public-usage paths.

## 11.4 - END OF TREATMENT - STORAGE

### 11.4.1 - Daily

• **The operator must:**

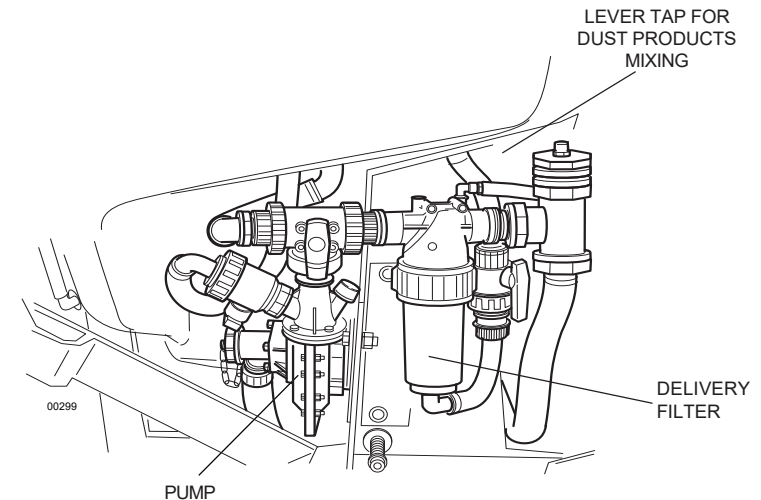
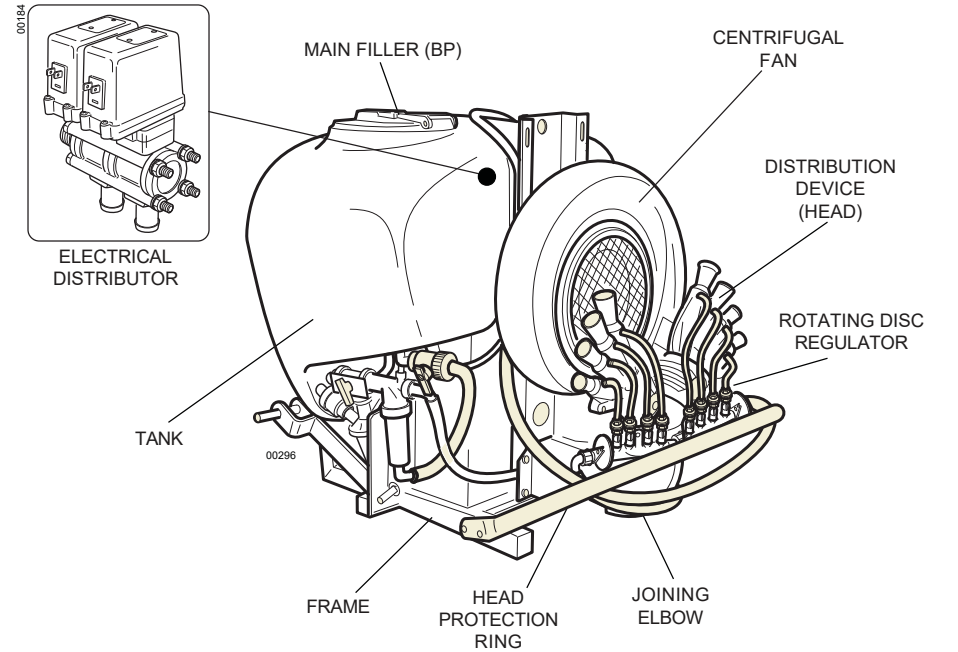
- a. Wash the machine's exterior before cleaning out the hydraulic circuit. The operative sequence will permit the elimination of possible water residues from the fan casing and piping conveying the air flow to the heads.

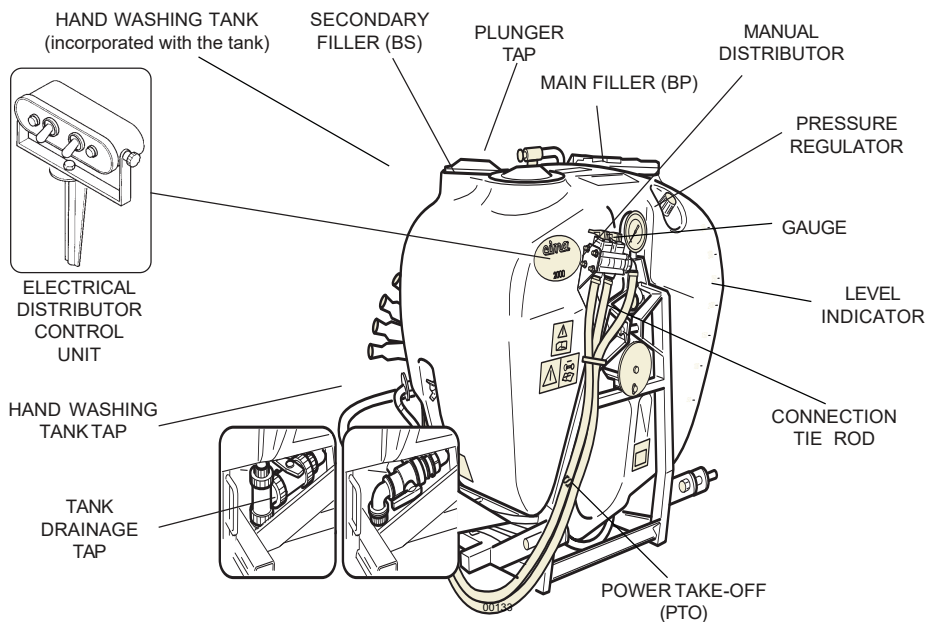


**The washing of the sprayer's exterior must be carried out in an area in which foul waters are collected in a disposal pit. DO NOT UTILISE HIGH-PRESSURE HYDRO-CLEANERS.**

- b. Carry out the cleaning of the hydraulic circuit by washing the inner side of the tank with a clean water jet, then spraying it on the crop on which the treatment has just been completed: if necessary repeat this operation.
- c. Check the efficiency of the distribution device (head) and the cleaning of the pulverising points (diffusers), possibly replacing them if found to be damaged.

The pictures indicate the position of the main components of the sprayer.





## 4.1 - FRAME

Frames of series Plus 42 and 45 can be coupled to category "1" three-point linkage. The plugs diameter is 22 mm. The diameter of the third-point plug is 19 mm.



**In order to limit the shifting of the centre of gravity and to implement a functional coupling, ALL frames allow for the double positioning of plugs**

Frames of series Plus 50, 55, 55S and 55E can be coupled to category "2" three-point linkage. The plugs diameter is 28.5 mm. The diameter of the third-point plug is 25 mm.

- The tank-securing bracket is mounted by means of 2 screws on the front, below the 3<sup>rd</sup> point.
- A tie-rod through the tank's upper tunnel connects the front part of the frame to the rear. This must be dismantled should the tank be removed and it must be repositioned after having re-assembled the tank.  
This operation is carried out from the front, below the 3<sup>rd</sup> point connection, by means of a spanner supplied with the machine.
- In the forward part, below the 3<sup>rd</sup> point connection, the removable protection cover of the fan release device is secured by means of a screw.

A rear bumper is provided to protect the sprayhead. This must be mounted in the most effective position, according to the operating conditions and in keeping with the type of heads utilised.  
A chain with hooks, fixed to the front part of the frame, allows the support of the transmission joint when the machine is coupled to the tractor.  
All frames are pre-set with axles for the application, on request, of a pair of wheels (please refer to the installation accessories for the assembly, Paragraph 7.2).

### • The operator must:

- a. Wear adequate protective clothing and accessories such as overalls, waterproof suits, gloves, glasses and masks to shield him from contamination by inhalation or contact with the products handled.



- Anti-dust masks don't offer any protection against toxic vapours.
- Avoid wearing loose clothes that might entangle with moving parts.

- b. With the parameters defined during the preliminary operations, carry out the adjustments of the sprayer.
- c. Prepare the mixtures in a well ventilated area. When in the open, the presence of wind increases the danger of contamination.
- d. Precisely weigh the previously calculated doses of products to be mixed at every filling operation.
- e. Avoid handling products close to open flames, embers, incandescent bodies or in the presence of flammable substances.
- f. In order to obtain the correct volume dosage of agro-chemicals and fertiliser mixtures, the fertiliser must be first diluted.
- g. Wash and rinse the just emptied product containers with clean water – collect the washing water and pour it in the tank before carrying out the filling – place the empty packaging in the specific container or in the collection area.
- h. Wash the equipment and tools utilised in the preparation and place them in the chemical products storage area.
- i. **Always** leave the area assigned to the loading and preparation of the mixtures in such condition as to avoid **any** possibility of contamination to persons or animals or of pollution to the environment.
- l. Having completed the filling of the machine, suitably fill the tank used for personal cleansing with clean water.
- m. If necessary, mark the field or the area of machine passes in order to provide a guide for the treatment and avoid missing or double-treating coverage areas.



- **AT THE END OF THE OPERATIONS NECESSARY FOR CARRYING OUT THE INTERVENTION, THE LOCATION-STORAGE AREAS MUST BE LEFT IN THE CONDITION REQUIRED FOR THE CARRYING OUT OF THEIR PREVENTION AND PROTECTION FUNCTIONS.**

- **BEFORE STARTING THE TRACTOR, KEEP AWAY PERSONS OR ANIMALS AND NEVER LEAVE IT UNATTENDED DURING THE PREPARATION OPERATION.**

### 11.1 - PRELIMINARY OPERATIONS TO TREATMENT

- The operator must:
  - a. Ascertain that the condition of the crops, the progress of the disease or the need for its prevention actually justify the treatment to be applied.
  - b. Be aware of the meteorological conditions forecast for all the time necessary for carrying out the treatment.
  - c. If possible, avoid carrying out the spraying in strong wind conditions or when one detects that the sprayed mixture disperses away from the target crop (drifting). It is advisable to suspend the treatment when the wind speed exceeds 3 m/s (10 km/hour). Should it be imperative to operate anyway, the following suggestions are made:
    - reduce the distance of the target from the spraying points, even if detrimental to the quality of the spraying
    - increase the dimension of the droplets, suitably adjusting the machine.
  - d. Check that multiple-product mixtures be physically, chemically and biologically compatible amongst themselves; if need be, obtain the necessary information from the products' sales representative.
  - e. Carefully calculate the exact quantity of the product necessary for the treatment and establish the volume of water to be used for the intervention.
  - f. Check that the product is available in a quantity sufficient to complete the intervention.
  - g. Read the product's utilisation instructions carefully, in order to ascertain the usage conditions, the correct dosage and the expiration dates.
  - h. Make sure of the parameters necessary to the adjustments of the machine and determine the exact dose of product to be applied to every loading.  
Follow the instructions of the publication titled "Instructions for the machine's adjustments – Suggestions and considerations on the low-volume treatments" as well as those contained in the use and maintenance book-let of the distribution device.

### 11.2 - PREPARATORY OPERATIONS TO TREATMENT



**THE FILLING MUST BE CARRIED OUT WITH THE MACHINE ON A FLAT SURFACE. BEFORE THE OPERATION, IN THE ALLOCATED AREA, THE DOSES OR MIXTURES TO BE Poured IN THE TANK MUST BE MADE READY.**

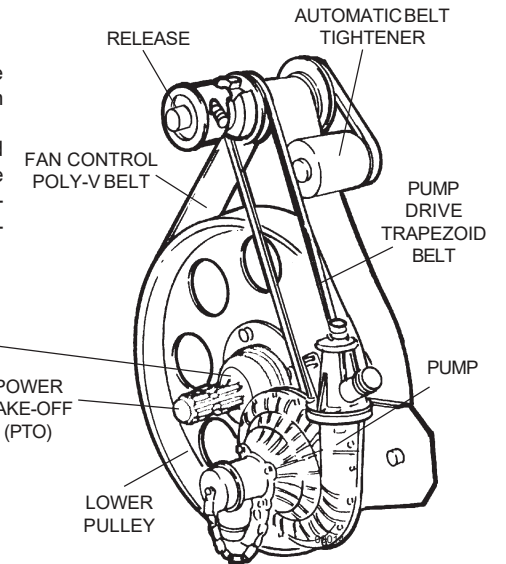
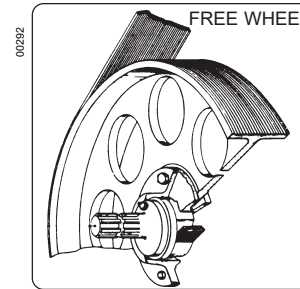
**Before starting the filling cycle, check:**

- the EFFICIENCY of the Distribution device (HEAD);
- that the SPRAYING POINTS (DIFFUSERS) ARE CLEAN;
- that the CARTRIDGE AND THE DELIVERY FILTER (P12) ARE CLEAN;
- FAN SHAFT SUPPORT OIL LEVEL.

### 4.2 - FAN SERVO AMPLIFIER

#### Servo amplifier

A free-wheeling gear is included between the Power Take-off of the servo amplifier and the fan control pulley (refer to the picture). In case of sudden decelerations or unexpected engine stoppage, this allows the fan to continue its free rotation, thus avoiding extreme mechanical stresses to be transmitted to the drive members.



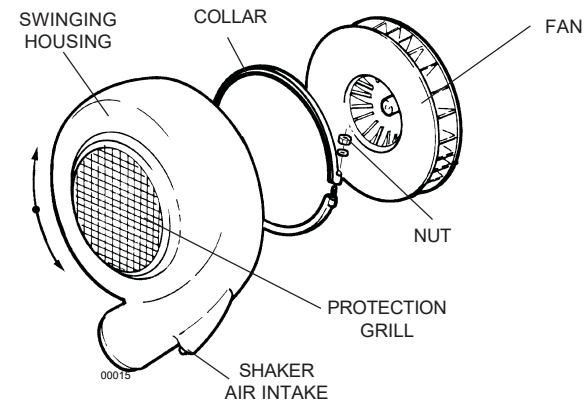
#### Centrifugal fan

The front-engaging clutch assembled on the fan shaft allows the operation of the centrifugal pump without the fan.

The fan housing can rotate 360 degrees. This permits the positioning of the outlet spout at the point necessary for the assembling of the different distribution devices.

An air intake, pre-set on the outer edge of the housing, is connected to the plunger tap placed above the tank. Through this tap it is possible to carry out or exclude pneumatic agitation.

The closed blades' impeller is sheet steel realized and dynamically balanced; the air intake opening on the casing is protected by a grating, especially foreseen for this purpose.

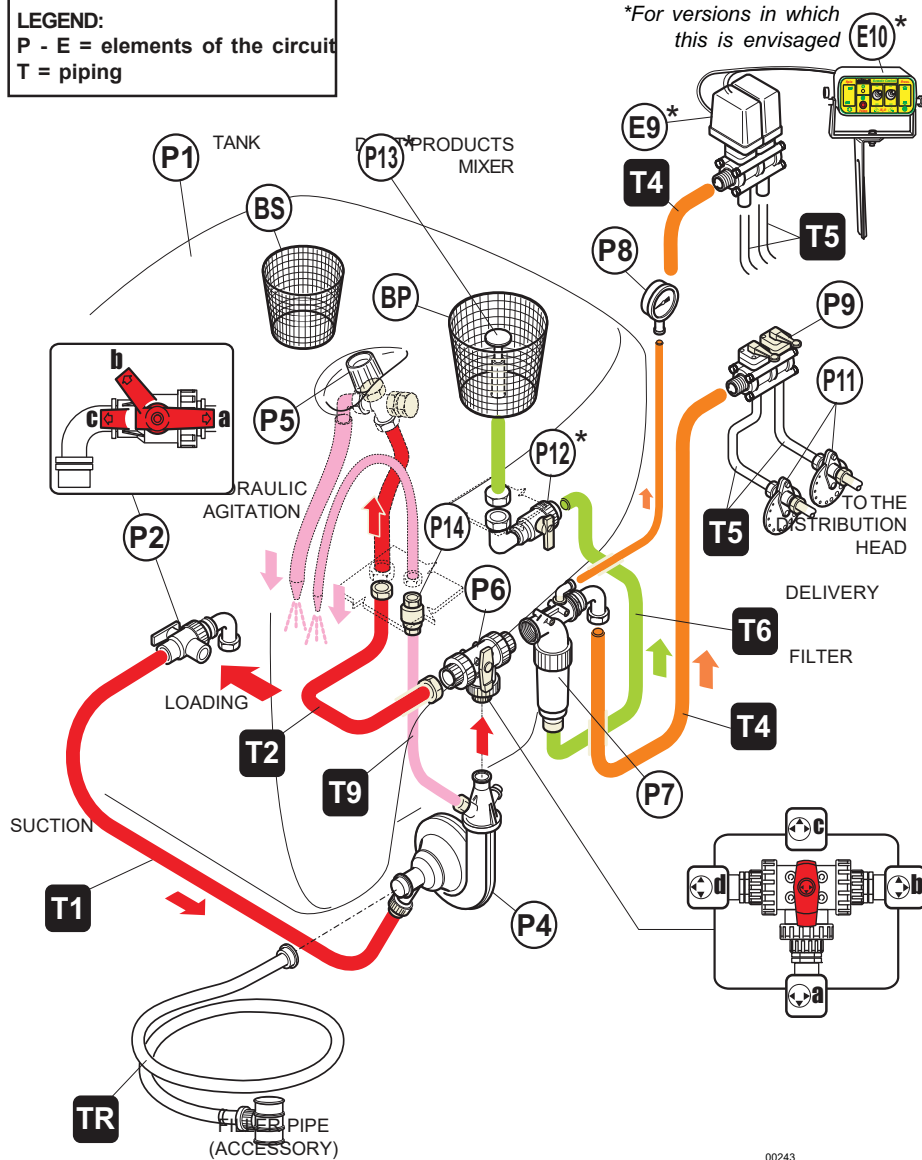




### 4.3 – HYDRAULIC CIRCUIT COMPONENTS

**LEGEND:**  
 P - E = elements of the circuit  
 T = piping

\*For versions in which this is envisaged



Hydraulic connections diagram

### 9 AGITATION 9

The **hydraulic** and the **pneumatic** circuits mounted inside the tank, allow to realize a **double agitation system**: with the pump water and with the fan air, **at the same time**. The pneumatic circuit can be excluded, when the products used have a quite strong foaming effect, by closing the piston cock, mounted over the tank. When that cock is opened again, check that the air outlet holes aren't obstructed.

- It is advised however to also use always the pneumatic agitator, adding to the mixture, if necessary, a antifoam product.
- Before starting the treatment it is essential to agitate the mixture in the tank, recirculating it completely for as long as it takes to make it homogeneous.
- The agitation has to be carried out with the pressure regulator (P6) open for the unit's first use or set to the already selected position for the outstanding treatment or for the previous one. Also the cock P7 and the piston cock mounted over the tank have to be open. This operation is of main importance, in order to get a uniform distribution of the active principle on the whole vegetative surface to be treated.

Should the activity need to be interrupted during a treatment with the sprayer, keep the agitator activated until the treatment is resumed. Should this be stopped and deferred to a later stage, the mixture that has remained in the tank must be **agitated again** properly.

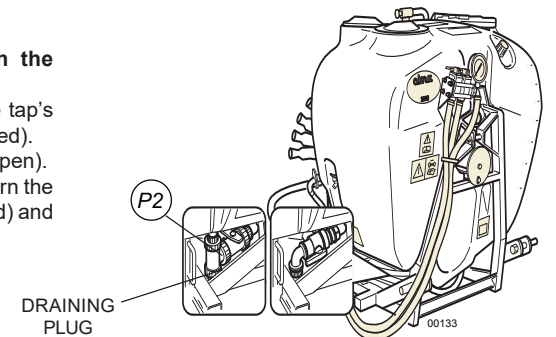
**THE MIXTURE AGITATION HAS TO BE CARRIED OUT WITH THE POWER TAKEOFF RUNNING AT A RATE OF AT LEAST 500 r.p.m..**

### 10 TANK AND HYDRAULIC CIRCUIT DRAINING 10

- Stop the tractor and remove the key from the control panel.
- Wear suitable protective clothing and accessories in order to avoid contamination by contact or inhalation of the mixture.
- Carry out the discharging in a suitable and properly geared area for the collection of the washing liquid.

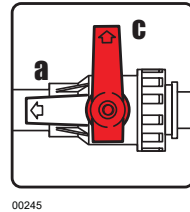
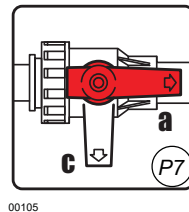
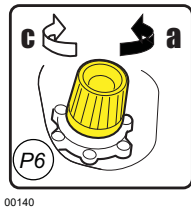
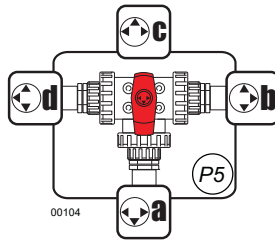
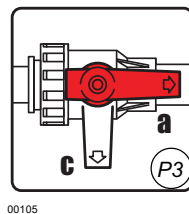
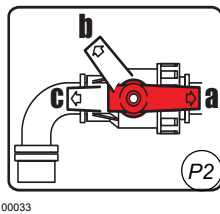
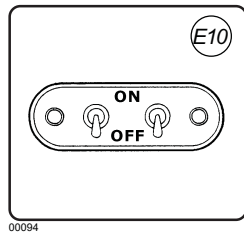
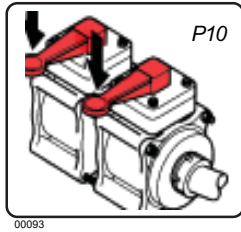
The operation is carried out through the drain plug P2:

1. Unscrew the drain plug only when the tap's lever is in the "a" position. (Drain closed).
2. Turn the lever to position "b". (Drain open).
3. After having carried out the draining, turn the lever to the position "a" (Draining closed) and screw again the draining plug.



DRAINING PLUG

17. Lift the unit. Engage the Power Takeoff and set it up to a running rate of at least 500 r.p.m., in order to carry out a further agitation..
18. Close the cock (P7) (lever on "c")
19. CARRY OUT THE TREATMENT.

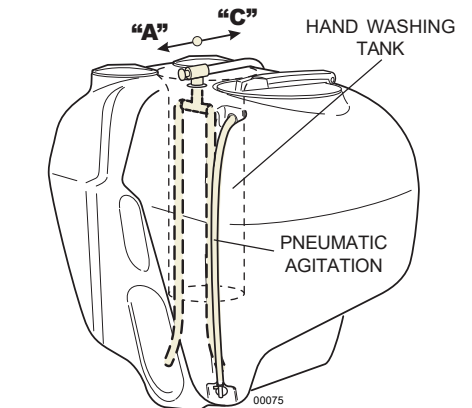
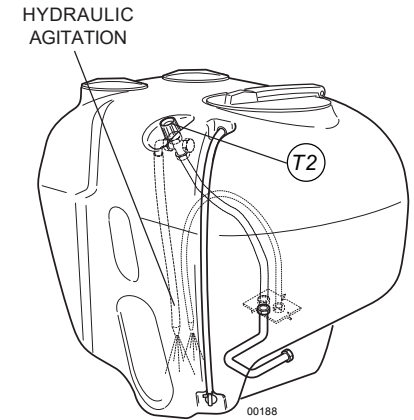


## P1. TANK

Tanks utilised:  
polyethylene tanks of 300, 400 and 600 litre capacity.

Each tank is made up of:

- tank main filler spout of 355 mm diameter, with collapsible lid, breather and labyrinth seal, for the filling with spraying products. Plastic cup-like filter: 302 mm external diameter, height 254 mm with powder mixing device;
- supplementary tank filler with 250 mm diameter screw-type lid, for filling with clear water and plastic cup-like filter: external diameter 204 mm, height 240 mm;
- incorporated polyethylene 17 litre capacity hand wash tank, with external service tap. Opening through a 255 mm diameter screw lid;
- transparent level indicator external pipe with graduated scale;
- hydraulic agitation connected to the return piping T2;
- pneumatic agitation, connected to the piston tap found above the tank and connected through piping to the air intake located on the fan casing.



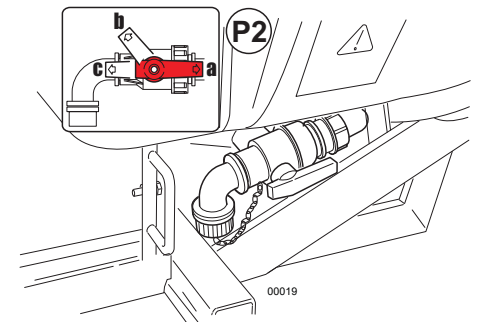
A = OPEN  
C = CLOSED

## P2 - 3-WAY LEVER TAP A WITH DISCHARGE FITTING

Fixed to tank P1 and connected to the suction piping T1.



With the machine in operation the tap's lever must face towards the suction piping T1 (position "a").  
By positioning the lever towards the drain plug (position "c"), total draining of the tank is obtained.  
In order to carry out the complete discharge of any liquid remaining in the pump and pipes, set the tap to position "b".





Remove the filler cap before shifting the drain cock lever. When the draining has taken place, return the lever to the working position (position "a") and screw the cap back on. These operations must be carried out with the machine stopped.

## T1 - SUCTION PIPING

It connects the tap P2 of the tank to tap P3 on the centrifugal pump.

## P3 - 2-WAY LEVER TAP

It is connected to the piping T1 and is secured to the suction fitting of pump P4.

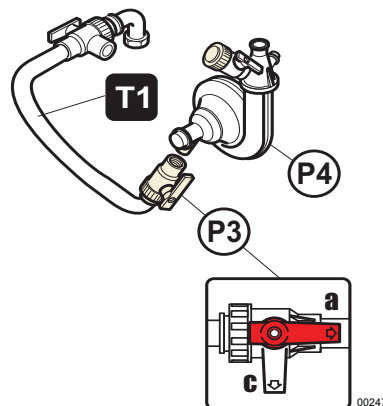
**a = OPEN** when the control lever is parallel to the tap's body

**c = CLOSED** when the lever is perpendicular to the tap.



**IT MUST NORMALLY REMAIN IN THE OPEN POSITION.**

The tap must only be closed in order that the filling of the tank be carried out through the filler piping (see paragraph 8.3) AND ON COMPLETION OF THE OPERATION, IT MUST BE RE-OPENED (back to position "a").



## P4 - CENTRIFUGAL PUMP

It is mounted on the right-hand side of the machine and is connected to the three-way tap P5 and to the two two-way taps P7 and P3.

## P5 - 3-WAY LEVER TAP

It is mounted on the centrifugal pump (P4) and is connected to the body of the filter (P8).

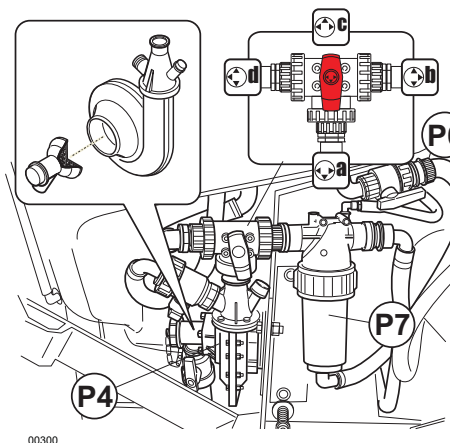
When the tap's lever is set in position:

### a. WORK (Vertically, downwards)

The mixture is driven both to filter P8 and to the tank through piping T2. In this position, by opening distributor P10 (or E10) the mixture is driven to the head and the excess flow will return to the tank through the relative piping T2



**TREATMENTS MUST BE CARRIED OUT ONLY WITH THE TAP IN THIS POSITION.**



4. Close the cock (P3) (lever on "c").
5. Connect the filler piping to the pump.
6. Re-open P3-P7 (levers on "a").
7. Immerse the filter with the bottom-drawing valve in the water to be loaded.



**The filter must always be below the level of the water to be loaded. The piping must never be above the pump's suction point and must never be excessively bent in the vertical direction.**

8. Through the secondary filler BS, pour approximately 15~20 litres of water into the tank: the quantity must be sufficient to FILL the piping and ACTIVATE the pump to start the recycle.
9. Activate the power take off (PTO) and take it to a rotation speed of **at least 500 RPM**.
10. When the pump has started the circulation of the water poured, close tap P3 (lever on "c") to start up the filling.

### 11a. WITH MEDICINAL MIXTURES OR LIQUID PRODUCTS (WITHOUT MIXER DEVICE).

11a1 Pour the mixture of medicinal envisaged through the main filler (BP), together with the water used to wash the canister of product and the tools used in the preparation.

11a2. Close the main filler (BP) of the tank.

11a3. Having completed the filling with water, disengage the power take off (PTO).

11a4. Close the tap (P5) setting the lever in position "c".

11a5. Close the tap (P7) setting the lever in position "c".

11a6. Disconnect the filler piping and replace the stopper on the pump.

11a7. Open the tap (P3) of the pump setting the lever in position "a".

11a8. Open the tap (P5) setting the lever in position "a".

### 11b. WITH POWDER PRODUCTS: UTILISING THE MIXTURE DEVICE

11b1. Pour the dose of medicinal in powder form foreseen for each loading into the main filler (BP) of the tank.

11b2. Close the main filler (BP) of the tank.

11b3. Open the cock (P8) (lever on "a").

11b4. Wait for the filling to be completed.

11b5. Close the cock (P8) (lever on "c").

11b6. Disengage the power take off (PTO).

11b7. Close taps P5 and P7 (levers on "c").

11b8. Disconnect the filler piping and replace the stopper on the pump.

11b10. Open taps P3, P5 and P7 (levers on "a").

12. Engage the Power Takeoff and move to the treatment place, keeping the Power Takeoff running rate **at least 500 RPM during all the way**.

### IN THE AREA OF THE TREATMENT

13. Disengage the power take off (PTO) and rest the machine on the ground.



14. **STOP THE TRACTOR AND REMOVE THE KEY FROM THE CONTROL PANEL.**

15. Make sure that the fan is stopped. Hook the fan to the servo amplifier as indicated at point 8.1.b.

16. Start the tractor, always observing the safety norms.



- 6a4. Set the lever of tap (P5) to the "b" position.
- 6a5. Engage the Power Takeoff and set it up to a running rate of **at least 500 RPM**.
- 6a6. Complete the filling with water and close the lid of the secondary filler (BS).
- 6a7. Close the cock (P8) (lever on "c").
- 6a8. Open the three-way tap (P5), setting its lever to position "a".

**6b. FILLING WITH MEDICINAL MIXTURES OR LIQUID PRODUCTS**

- 6b1. Pour the medicinal mixture envisaged for every loading (together with the water possibly used for the washing of product canisters and of the tools used in the preparation) into the main filler(BP).
- 6b2. Close the main filler (BP) of the tank
- 6b3. Engage the drive outlet (PTO) and take it to a speed of at least 500 RPM
- 6b4. Complete the filling with water and close the lid of the secondary filler (BS)
- 7. Move to the treatment place, keeping the Power Takeoff running rate at a minimum value of 500 r.p.m. during all the way.

**FILLING DIRECTLY IN THE TREATMENT AREA:**

- 8. Disengage the drive outlet (PTO) and rest the sprayer on the ground.



**Stop the tractor and remove the key from the control panel.**

- 9. Ensure that the fan is stopped. Engage the fan to the servo amplifier as indicated at point 8.1, then re-close the mobile protection cover.



**Tighten the protection-securing screw properly.**

- 10. Start the tractor.
- 11. Lift the unit. Engage the Power Takeoff and set it up to a running rate of at least 500 r.p.m., **in order to carry out a further agitation.**
- 12. Close the cock (P7) (lever on "c").
- 13. CARRY OUT THE TREATMENT.

**8.3 - FILLING WITH THE SPECIFIC PIPE**



**Before utilisation, check the operation and proper sealing of the bottom-drawing valve by pouring water in the piping.**



**THE PUMP MUST NEVER RUN DRY.**

**EXECUTION:**

- 1. Disengage the fan, see point 8.1.a.
- 2. Close the 2-way distributor:
  - a. if manual (P10), set the levers in the horizontal position;
  - b. if electrical, position the latch switches (E10) on "OFF".
- 3. **Check that:**
  - Check that:
    - P2 is open (lever on "a");
    - P5: is open (lever on "a");
    - P7 and P8: are closed (lever on "c");
    - P6, pressure regulator: is completely open for the unit's first use, or on the already selected position for the outstanding treatment or for the previous one.

Furthermore, by opening the handle tap of filter P8, with manual distributor P10 or electrical distributor E10 closed, it is possible to carry out the product mixing. A different momentary positioning of the lever is required at times, but only for certain operations that will be specified from time to time.

**b. POWDERS' MIXING (Horizontally, rightwards)**



**Only the mixing of powder products is to be carried out in this position**

The whole flow from the pump is driven to filter P12. By opening the tap P8 and by closing distributor P10 (or E10), the whole flow is driven to the mixer of the main filler BP.



**The return flow to the tank is closed through P6 and T2. The hydraulic agitation is stopped together with the flow towards the distribution device (head): this means that no flow is therefore present and it is not possible to carry out treatments.**

**c. DETACHMENT/REATTACHMENT OF THE FILLING PIPE (Vertically, upwards)**

The flows towards both filter P12 and towards piping T2 are interrupted.



**This is to be positioned at the end of the tank's filling operation, before disconnecting the filling up piping. NEVER OPERATE THE SPRAYER WITH TAP P5 IN THIS POSITION.**

**d. FILTER MAINTENANCE (Horizontally, leftwards)**

The flow to piping T2 is open. The capacity flow towards filter P12 and to the feeding circuit is closed. This allows the cleaning of filter P12 even with a full tank; check that tap P8 is closed.

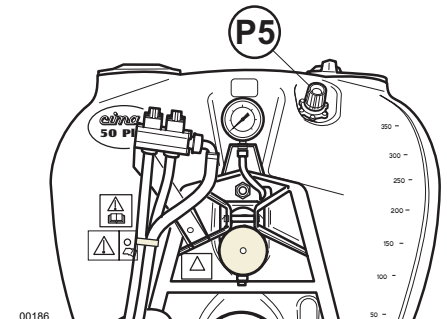
**P6. PRESSURE REGULATOR**

It is mounted on the tank and is connected to tap P5 through piping T2. It regulates the operating pressure by controlling the return flow to the tank.

- **By closing it: it REDUCES the return flow to the tank** and therefore, the agitation of the mixture, and it increases the operating pressure and capacity flow to the head (rotate the handle clockwise).
- **By opening it: it INCREASES the return flow to the tank** and therefore, the agitation of the mixture, while reducing the operating pressure and capacity flow to the head (rotate the handle anti-clockwise).



**When treatments are carried out with heavy powder products which have a tendency to form a deposit at the bottom of the tank, one must operate with a working pressure of 1 -1,5 atm, so as to allow for a better hydraulic agitation of the mixture.**



## T2. RETURN TO TANK PIPING

It connects tap P6 to tank P1, at the point on which the hydraulic agitation is mounted.

## P7. 2-WAY LEVER FILLING TAP

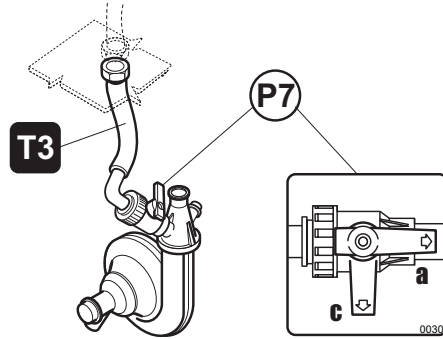
It is mounted on pump P4 and connected to tank P1 through the filler piping T3.

**a = OPEN** when the control lever is parallel at the tap's body

**c = CLOSED** when the lever is perpendicular to the tap.



It must normally remain in the closed position. It is only opened to carry out the loading of the tank through the filler piping (see point 8.3). When the operation is complete, it must be returned to the closed position.



## T3. PIPING FOR THE LOADING

It connects tap P7 to tank P1 for the filling.

## P8. AUTOMATICALLY CLEANING DELIVERY FILTER TAP

It is positioned on the (T4) pipe, between the delivery filter and the mixer on the main pipe union, near the pipe entry point into the tank.

- OPEN (Position "a") the tap to carry out the draining or the mixing of powder products;
- CLOSE (Position "c") the tap in order that the operations are not carried out.

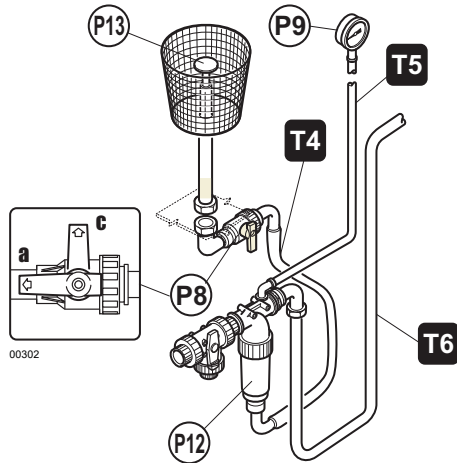
## P12. FILTER

The filter has a filtering capacity of 250 l/min., and is equipped with a 50 mesh cartridge.

A soiled cartridge lowers of the operating pressure.



**This malfunction is signalled by the relevant gauge.**

This device only filters the flow to the heads, considerably reducing the chances of cartridge clogging.



## 8.1.b Fan engagement to perform the treatment

EXECUTION:

1. Disengage the power take off (PTO) and rest the machine on the ground.
2.   Stop the tractor, remove the key from the control panel and check that the fan is stopped.
3. Undo the mobile protection cap's fixing screw and rotate it so as to access the disengagement tunnel.
4. Fully press the spring push button, push the front body forward, if necessary, turning it to the right or left, until the frontal teeth of the joint engage the corresponding teeth of the pulley; at the same time, the spring push button must return to the outward position. This way, the body is again integrated with the pulley, thus transmitting the movement to the fan.
5. Reposition the mobile protection cover and suitably tighten the securing screw.
6. Start the tractor and lift the sprayer to position the universal joint shaft.

## 8.2 - FILLING THROUGH POURING FROM THE TOP



For this type of filling, use the supplementary filler (BS) located in the upper right-hand side of the tank, towards the front of the sprayer (opposite the filler of the hand washing tank).

**THE INLET OF THE FILLER PIPING MUST NEVER COME INTO CONTACT WITH THE ANTI-PARASITIC MIXTURE: IT MUST ALWAYS BE KEPT AT A SAFE HEIGHT ABOVE THE TANK FILLER AND MUST BE EQUIPPED WITH A NON-RETURN VALVE.**



**THE PUMP MUST NEVER RUN DRY**

EXECUTION:

1. Disengage the fan: see point 8.1.a.
  2. Close the taps of the 2-way distributor:
    - a. if manual (P10), set the levers in the horizontal position;
    - b. if electrical, position the latch switches (E10) on "OFF"
  3. Check that the following cocks
    - P2 and P3: are open (lever on "a");
    - P5: is on working position (lever on "a");
    - P8: closed cock (lever on "c").
    - P6, pressure regulator: is completely open for the unit's first use, or on the already selected position for the outstanding treatment or for the previous one.
  4. Open the cock (P7) (lever on "a").
  5. Pour water in the tank to about 1/3 capacity through the supplementary filler BS.
- 6a. **FILLING WITH POWDER PRODUCTS BY UTILISING THE MIXER**
- 6a1. Pour the dose of powder into the cup-like filter through the main filler (BP).
  - 6a2. Close the tank's main filler (BP).
  - 6a3. Open the tap (P8) (lever on "a").

FILLING MUST BE CARRIED OUT WITH THE MACHINE ON A FLAT SURFACE. ON THE SITE, BEFORE THE OPERATION, THE DOSES OR THE MIXTURES TO BE POURED INTO THE TANK MUST BE PREDISPOSED.





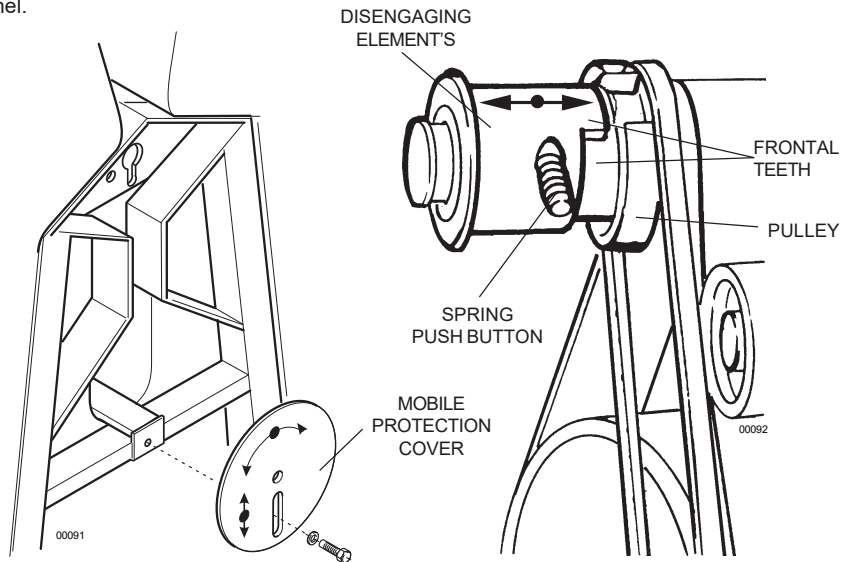
IT IS NECESSARY TO ALWAYS MAKE USE OF PERSONAL PROTECTION.

## 8.1 - FOREWORD - USE OF THE FAN DISENGAGEMENT

### 8.1.a Disengagement of the fan

EXECUTION:

1. Take the sprayer to the area in which it is to be filled and rest it on the ground.
2.   Stop the tractor, remove the key from the control panel and check that the fan has stopped.
3. Undo the mobile protection cap's fixing screw and rotate it so as to access the disengagement tunnel.



4. Fully press the spring push button and pull the front element until it springs out. The body disengaged from the retaining joint must turn freely: the pump will operate and the fan will thus be excluded.
5. Reposition the mobile protection cover and fasten the locking screw properly.
6. Start the tractor, lift the sprayer to position the universal joint shaft and carry out the filling operation.

## P13. MIXER

It realizes the powdery insecticides' mixing, during the tank filling. Mounted on the cup filter of the main orifice (MO), it is connected with the filter (P12) through the pipe (T4).

## T4. PIPING FOR THE MIXING

It connects the self-cleaning tap of the filter (P8) with the cup-like filter in the tank.

## T5. GAUGE CONNECTION PIPING

It connects the filter (P12) to the gauge (P9).

## P9. GAUGE

Glycerine-dipped, with dial from 0 to 6 Kg/cm<sup>2</sup> (atmosphere) – adjustments scale of 1/10 of atmosphere, 100 mm diameter.



Set the working pressure, by acting on the regulator hand grip (P6), keeping the P10 (or E11) distributors opened.

## T6. PIPING FOR THE FEEDING

It connects the filter to the manual distributor (P10) or electric distributor (E11).

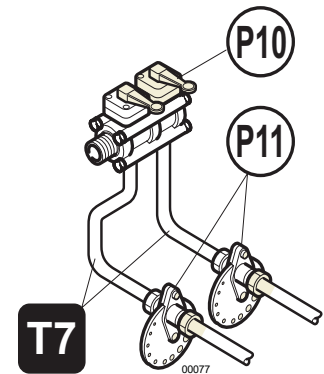
## P10. MANUAL DISTRIBUTOR WITH 2 LEVER-OPERATED TAPS

It connects the feeding pipe (T6) to the distribution piping (T7). It remote-controls the closing and opening of the pulverising. The mount bracket, supplied with the machine, must be secured to the tractor within the driver's reach.

When the machine is not hitched to the tractor, it must be placed on the forward part of the sprayer's frame.

Each tap permits the spraying from a single side of the head: to the right and to the left respectively. They are **open** when the levers are set in the **vertical** position.

They are **closed** when the levers are **horizontal**.



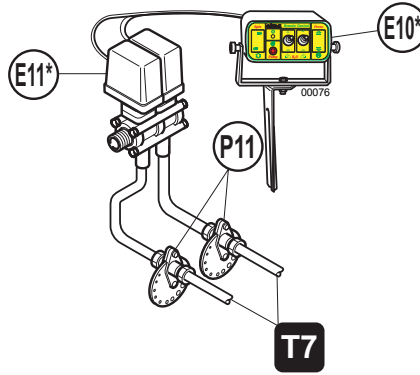
## E10. ELECTRICAL CONTROL UNIT (For the models on which it is foreseen)

It is electrically connected to the distributor with 2 motorised solenoid valves (E11) and to the main socket of the tractor.

The unit is supplied with a complete electrical plug should the one present on the tractor be unsuitable for connection.

The 2 lever switches controlling solenoid valves E11, must be set to "ON" for opening and to "OFF" for closing.

The unit is equipped with a bayonet support to be inserted in the bracket provided. This must be mounted on the tractor within the driver's reach. When the machine is not hitched to the tractor, it must be placed in the position envisaged on the forward part of the machine's frame.



## E11. ELECTRICAL DISTRIBUTOR WITH 2 SOLENOID VALVES (For the models on which it is foreseen)

It is connected to the feed pipe (T6), the distribution piping (T7) and the electrical unit (E10) mounted on the tractor. The solenoid valves open and close following the command of the electrical control unit switches.

## T7. DISTRIBUTION PIPING

It connects the distributor P10/E10 to the calibration disc (P11) assembled on the distribution devices.

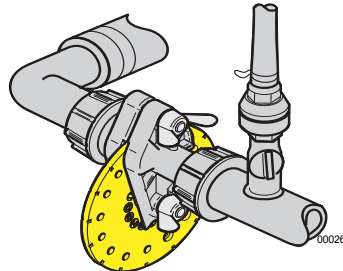
## P11. CALIBRATION DISC

It selects the flow rates necessary to the treatment and is mounted on the distribution devices.

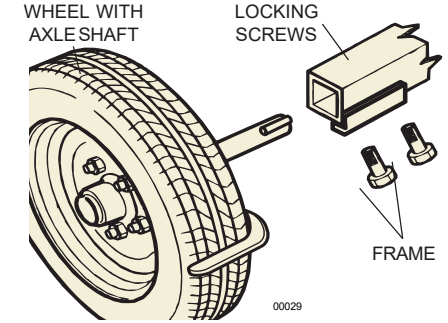
It is made up of 2 flanges, held in position by two butterfly nuts, locking a disc with calibrated holes numbered from 1 to 15. A groove on the edge of the disc allows the exact positioning of the hole to be utilised.

Its number must appear in the flange's semi-circular seat. The rotation of the disc is obtained by loosening the butterfly nuts by a few turns. After the operation is done, screw back carefully.

Any faulty sealing condition of the hydraulic circuit causes an intermittent issuing of the sprayed material. It is necessary to carefully check the efficiency of the sealers and clamps, the tightening of the ring nuts and fittings and the good working condition of the piping.



3. Insert the wheels' axle shafts into the machine's axle.
4. Adapt the wheels' track to that of the tractor.
5. Lock the axle shafts by means of the axle screws.
6. Start the tractor and keep the sprayer lifted during the transfers, lowering it to carry out the treatment.



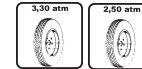
**THE SPRAYER MUST BE LIFTED AT EVERY DIRECTION CHANGE MAKING SURE THAT THE WHEELS ARE NOT RESTING ON THE GROUND.**

	Plus					
	42	45	50	55	55S	55E
Wheel dimension	135/80 - 13			175-13		
Wheel pressure (atm)	3,3			2,5		
Wheel weight, with axles (Kg)	40			44		

UMAP1070GB



**The utilisation of NON ORIGINAL pairs of wheels not equipped with mud scrapers will nullify the machine's warranty.**



**The operating pressure of the tyres is indicated on the decal placed on the rim of each wheel.**

## 7.3 - MANUAL TURN DEVICE



**For its application, a 45° elbow is necessary.**

It is an accessory used to modify the direction of the spraying. It can be used only with some types of distribution devices.



**All indications and instructions are provided in the use and maintenance booklet of the distribution devices with which it can be used.**

## 7.4 - ELECTRICAL TURN DEVICE

It is an accessory utilised to modify the direction of the pulverising. It can be used only with some types of distribution devices.



**All indications and instructions are provided in the use and maintenance booklet of the distribution devices with which it can be used.**

### 7.1 - FILLER PIPE

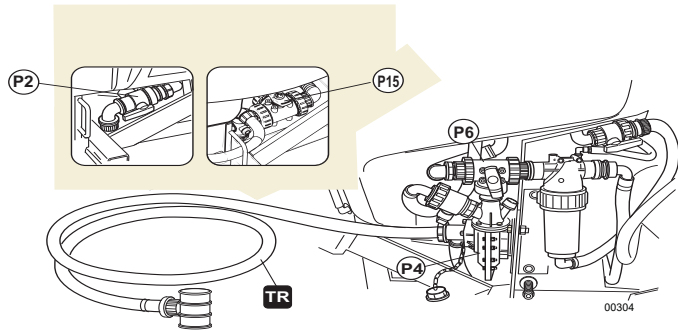
The pipe is provided with a coupling elbow fitting and with a bottom-drawing valve. This is used for the filling of the tank. It must be screwed into place on pump "P4" instead of the chain-held stopper.



The assembly has ALWAYS to be carried out with the P3 and P7 cocks closed (all levers positioned on "c") and the P5 cock positioned on "c".



Before making use of it, it is necessary to check the operation and the proper sealing of the bottom-drawing valve, by pouring water into the pipe.



### 7.2 - PAIR OF WHEELS

The wheels thread can be adapted to that of the tractor.



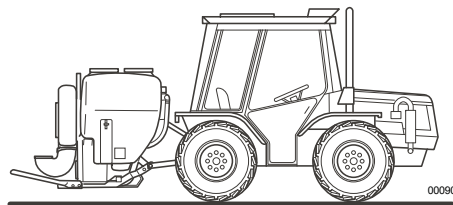
MOUNT THE WHEELS AFTER HAVING HITCHED THE MACHINE TO THE THREE-POINT LINKAGE. DISMANTLE THE WHEELS BEFORE UNHITCHING THE MACHINE FROM THE THREE-POINT LINKAGE.

#### EXECUTION:

1. Hitch the machine to the tractor and lift it to a height at which the wheels can be mounted.



2. Stop the tractor, remove the key from the control panel and ensure that no one operates the three-point linkage's hydraulic controls. **AVOID OPERATING AND STANDING BENEATH THE MACHINE OR WITHIN THE AREA THAT MIGHT BE INVOLVED IN ITS SUDDEN LOWERING.**



## 4.4 - TECHNICAL DATA

### 4.4.1- Sprayer dimensions and weights

(With protection ring - without distribution device - without accessories)

Plus		Tank capacity (litres)		
		300	400	600
42	Total width (mm)	960	1120	-
	Total height (mm)	1160	1180	-
	Length (mm)	1380	1380	-
	Weight, empty (kg)	195	200	-
	Weight, full load (kg)	513	618	-
45	Total width (mm)	960	1120	-
	Total height (mm)	1160	1180	-
	Length (mm)	1380	1380	-
	Weight, full load (kg)	520	625	-
50	Total width (mm)	960	1120	1450
	Total height (mm)	1160	1180	1230
	Length (mm)	1450	1450	1450
	Weight, full load (kg)	543	648	862
55 55S 55E	Total width (mm)	-	1120	1450
	Total height (mm)	-	1180	1230
	Length (mm)	-	1480	1480
	Weight, empty (kg)	-	236	250
	Weight, full load (kg)	-	654	868

### 4.4.2 - Technical specifications for fans and pump

#### Centrifugal Fans

Plus	Type of spray mounted sprayer					
	42	45	50	55	55S	55E
Fan diameter (mm)	450	450	500	550	550	550
Fan speed (revs/min.)	4000	4500	4000	3500	3700	3900
Air flow rate (m³/h)	4000	5400	7550	12500	14000	15500
Air speed (m/s)	228	188	175	150	170	180
Power absorbed (kW)	13	17	24	26	34	41



Plus	Type of mounted sprayer			
	42	45	50	55-S-E
Steel fan	yes	yes	yes	yes
P.E. Casing	yes	yes	yes	yes
180° Elbow fitting	yes	yes	yes	-
Internal diameter casing outfeed (mm)	175	175	175	250
PTO shaft 1" 3/8 SAE (DIN 9611/A)	yes	yes	yes	yes
Main pulley diameter (mm)	400	450	480	480
Fan control belt	610 J24	650 J32	690 J50	690 J50
Fan pulley diameter (mm)	54	54	64,5	75/70/66
Pump control pulley diameter (mm)	78	78	88	101/88/101
Pump control belt	3V 500	3V 500	3V 530	3V 530
Pump pulley diameter	78	82,5	82,5	82,5/88/82,5

UMAPTO4aGB

### Centrifugal pump CD32

Model C.I.M.A. CD32 – Pressed in nylon – Turning open – Stainless steel shaft - Silicon carbide, stainless steel and viton mechanical seal, – Emptying cork – Oiling device with spring cover - Suction sleeve with supplementary service filler, provided with chain-retained cork. Activated with trapezoid belt driven by the pulley mounted on the fan shaft.

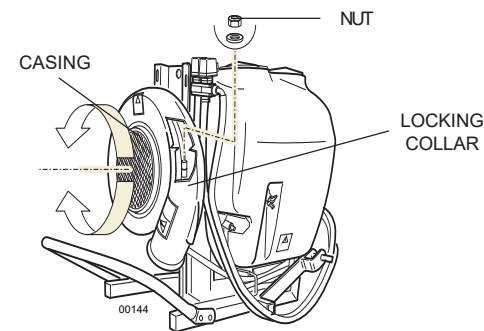
- Speed ..... 4000 RPM Plus42
- Flow rate ..... 120 litres/min. Plus42
- Speed ..... 4250 RPM Plus 45-50-55S-E
- Flow rate ..... 140 litres/min. Plus 45-50-55S-E
- Maximum pressure ..... 4.5 Kg/cm 2
- Power absorbed ..... kW 2.5



The performance specified is obtained with the drive outlet (PTO) at 540 RPM For a good result of the treatments this condition **MUST ALWAYS BE OBSERVED** during the machine's operation. Utilisation is permitted with speed rates ranging between 500 and 620 RPM

### 6.2 - POSITIONING OF FAN CASING

The fan's air outlet must be positioned according to the distribution device to be mounted and the modality in which it is to be utilised. The operation is possible since the fan's casing can be rotated on its axis up to 360°.



#### POSITIONING OF THE CASING:

1. Position the sprayer on the ground if it is mounted on the tractor.



**Switch off the tractor and remove the key from the control panel.**

2. By undoing the two locking nuts, loosen the collar which supports and locks the casing to the frame, located opposite the suction grill.
3. Rotate the casing and place the outlet in the position necessary for assembling (indications contained in the use and maintenance booklet of the distribution device).
4. After this has been done fasten the collar again.

### 6.3 - ELBOW FITTINGS OF DISTRIBUTION DEVICES

The elbow fittings support and connect the distribution devices to the fan casing. Several types are assembled on available standard machines (refer to Paragraph 4.4.2) while others, if not already available, must be supplied together with the distribution device.

PLUSCOMPLETE SERIES	42 - 45 - 50	55 - 55S - 55E
STANDARD BASIC MODELS		
FAN PROVIDED	WITH 180° ELBOW	WITHOUT ELBOW



In the use and maintenance book-let of every distribution device the type of elbow necessary for the connection is specified together with the assembling instructions.

## 6 DISTRIBUTION DEVICES 6



Every distribution device is supplied with its own **USE AND MAINTENANCE** booklet that is, or will have to be, attached to this publication and will constitute one of its integral parts.

### 6.1 - TYPES AND IDENTIFICATION CODES

Distribution device - Head	PLUS			
	42	45	50	55-55S-55E
4+4 diffuser head with 8 taps	T.4+4.42.01	T.4+4.45.01	T.4+4.50.01	-
4+4 diffuser head with 8 taps Strasbourg-type	T.ST4.42P.01	T.ST4.45P.01	T.ST4.50P.01	-
5+5 diffuser head with 10 taps	T.5+5.42.01	T.5+5.45.01	T.5+5.50.01	-
7-diffuser canopy head	T.TND.42.01	T.TND.45.01	T.TND.50.01	-
4-diffuser multiple olive head	T.OL.000.42.01	T.OL.000.45.01	T.OL.000.50.01	T.OL.000.55.01
4-diffuser multiple olive head with 45°elbow	T.OL.045.42.01	T.OL.045.45.01	T.OL.045.50.01	T.OL.045.55.01
4-diffuser multiple olive head with 180°elbow	-	-	-	T.OL.180.55.01
Flexible cannon jet	T.GCF.42.01	T.GCF.45.01	T.GCF.50.01	-
Vertical cannon jet with 45°elbow	-	-	-	T.GCV.000.01
Tobacco cannon jet	-	-	-	T.GCV.045.01
Tobacco cannon jet with 45°elbow	T.GC.045.42.02	T.GC.045.45.02	-	-
Tobacco cannon jet (multiple diffuser)	-	-	T.GC.00.50P.02	T.GC.00.55P.01
Tobacco cannon jet (multiple diffuser) with 45°elbow	-	-	T.GC.045.50.02	T.GC.045.55.01
Tobacco cannon jet (multiple diffuser) with 180°elbow	-	-	-	T.GC.180.55.01
Crank control swing, dev., tobacco cannon jet control	T.GIR.M.175P	T.GIR.M.175P	T.GIR.M.175P	T.GIR.M.250P.01
Electrical swing dev. for tobacco cannon jet control	T.GIR.E.175P	T.GIR.E.175P	T.GIR.E.175P	T.GIR.E.250P.01
Manual pneumatic boom, 5 mt. with 8 x 2 diffuser outlet	BM.08.2.02	BM.08.2.02	-	-
Manual pneumatic boom 7 mt. with 10 x 2 diffuser outlet	-	BM.10.2.02	BM.10.2.02	-
Hydraulic pneumatic boom, 12 mt. with 18 x 2 diffuser outlet and levelling pistons	-	-	B.18.2.66.50.02	B.18.2.66.55.02
2-fishtail sprayhead	-	T.2V35.45P.02	T.2V3L.50P.02	T.2V3L.55P.02
2-fishtail sprayhead	-	-	T.2V4.50P.01	T.2V8.55P.01
4-fishtail sprayhead	-	-	T.4V.50P.02	T.4V.55P.02
Potatoes head with 180°elbow	-	-	-	T.PT.55P.02
Tomatoes head with 180°elbow	-	-	-	T.PM.55P.02
2 lower hands and 2 upper cannons head	-	TC.2M2M.45P.01	TC.2M2M.50P.01	TC.2M2M.55P.01
France type, 2 lower hands and 2 upper cannons head	-	TCF.2M2C.45P.02	TCF.2M2C.50P.02	TCF.2M2C.55P.02
France type, 2 lower hand and 4 upper cannons head	-	TCF.2M4C.45P.02	TCF.2M4C.50P.02	TCF.2M4C.55P.02
Hydraulic movement head	-	TCI.2M4C.45P.11	TCI.2M4C.50P.11	TCI.2M4C.55P.11
Coffee head	-	T.CA.45P.01	T.CA.50P.01	-

## 5 COUPLING MODALITIES 5

### 5.1 - HITCHING TO THE TRACTOR



Check that the tractor's "permissible carried weight" and the "rear overhang allowed" are compatible with the weight and dimensions of the fully loaded sprayer and complete with equipment mounted for the treatment (see Paragraphs "3.1" - "4.4.1" and the attached documentation).



The tractor's power take-off (PTO), under all utilisation conditions, must provide a power exceeding that absorbed by the sprayer.

The hitching between sprayer and tractor must be carried out on a flat surface, keeping away people not involved in the operation, as well as children and animals.

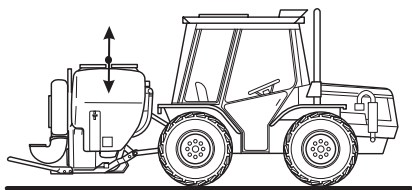
Pairing suggested for tractors of at least	Plus					
	42	45	50	55	55S	55E
<b>HP</b>	25	45	65	70	80	90
<b>kW</b>	18	33	48	52	58	66

#### EXECUTION:

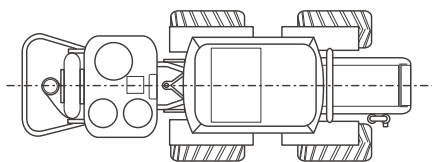
- Loosen the chains of the lifter arms.
- Start the tractor and take the lifter's arms to the level of the machine's pins.
- Stop the tractor and remove the key from the control panel.**
- Insert the toggle joints on the machine's pegs, locking them with the clip pins.
- Remove the 3<sup>rd</sup>-point rod of the tractor and mount it on the machine, securing it with the peg and the clip pin.
- Hook the rod to the tractor again, securing it with the peg and clip pin, screwing it finger-tight to set it into tension.
- Start the tractor and hoist the sprayer until the 2 PTO are the same height.
- Stop the tractor, remove the key from the control panel and make sure that no one approaches the hydraulic controls of the lifter. NEVER OPERATE OR STAND BENEATH THE MACHINE OR IN THE AREA THAT COULD BE INVOLVED IN ITS SUDDEN LOWERING.**
- By acting on the 3<sup>rd</sup>-point rod, vertically align the sprayer. **N.B.:** block the 3<sup>rd</sup>-point rod with the specific lock ring.
- Block the coupling by tightening the chains of the hoister arms.



When the operation is completed the 2 drive outlets (PTO) must be positioned on the same axis, both in vertical and horizontal direction.



00027



00080

## 5.2 - MOUNTING OF THE TRANSMISSION SHAFT



**USE TRANSMISSION SHAFTS WITH CE CERTIFICATION. OBSERVE THE REGULATIONS CONTAINED IN THE USE AND MAINTENANCE BOOK-LET PROVIDED BY THE SHAFT MANUFACTURER.**

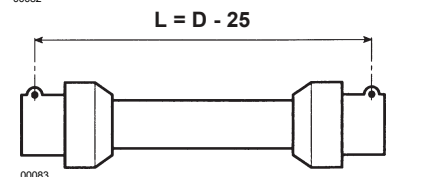
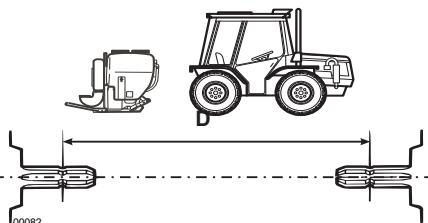
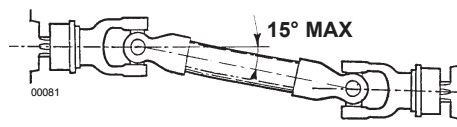


The transmission shaft must work with the 2 COAXIAL drive outlets (PTO) or, should this not be possible, with the PARALLEL axles. In this case the angle of the joint MUST NOT EXCEED 15°.

### Definition of the length

Set the 2 drive outlets (PTO) perfectly on the same axis and measure the distance "D" between their grooves.

Length "L" of the transmission shaft (refer to the picture) to be deployed, measured between the 2 stopping pawls and with joint closed, must be 25 mm lesser than distance "D".



The mounting, disassembling or possible other interventions on the transmission shaft must be carried out with the engine switched off and with the starter key removed from the tractor's control panel.

## 5.3 - INSTALLATION OF REMOTE CONTROLS

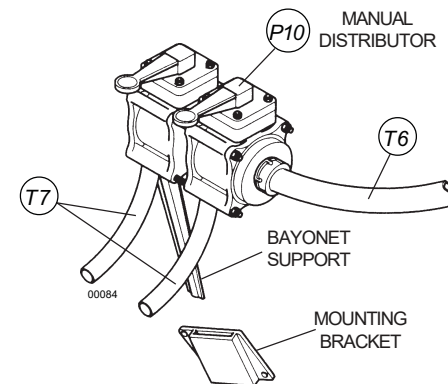
### 5.3.1 - Manual 2-tap distributor - P10

- 1 - Mount the securing bracket on the tractor within the driver's reach.
- 2 - Insert the distributor's bayonet support in the securing bracket.

- 3 - Connect the distribution piping T7 to the hydraulic circuit of the distribution device (head) mounted on the machine (follow the instructions of the specific "use and maintenance" book-let which is supplied with it).



Position the distribution piping T7 and feed piping T6 so as to avoid the risk of suffering damage or breakage during spraying. If necessary, utilise suitable securing clamps.



IN CASE OF BREAKAGE:

- 1 - Stop the tractor and remove the key from the control panel.
- 2 - Close the 2 taps of distributor "P10".
- 3 - Place the lever of the 3-way tap "P5" in position "d".

### 5.3.2 - Electrical control panel - E10 (For the models on which it is foreseen)

- 1 - Mount the securing clamp on the tractor within the driver's reach.
- 2 - Insert the bayonet support of the control panel in the securing clamp.
- 3 - Connect the main cable "W1" inserting the plug into the mains socket of the tractor.



The mains cable "W1" is provided complete with main socket to be mounted on tractors that might not be equipped with it, or to replace the existing one should it be incompatible with the plug.

4. Connect the distribution piping T7 to the hydraulic circuit of the distribution device (head) mounted on the machine (follow the instructions of the specific "use and maintenance" book-let which is supplied with it).



Position the electrical cables W1 and W2 in such a way as to avoid risking their being wrenched off during treatments. If necessary, use some securing clamps. A sudden interruption of power will lock the 2 solenoid valves of the electrical distributor "E11". Should this fault take place when they are in the open position, it is necessary to:

- Stop the tractor and remove the key from the control panel.
- Position tap P5 on "d".

