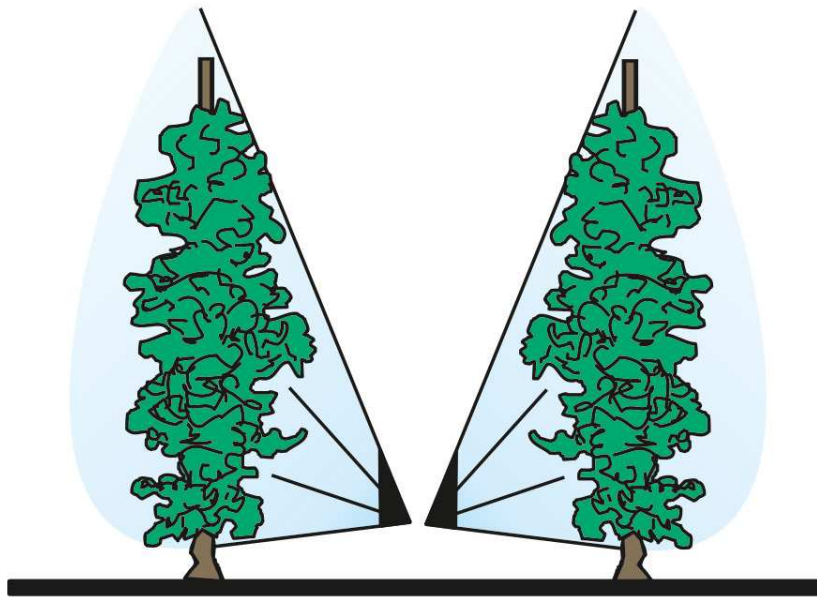


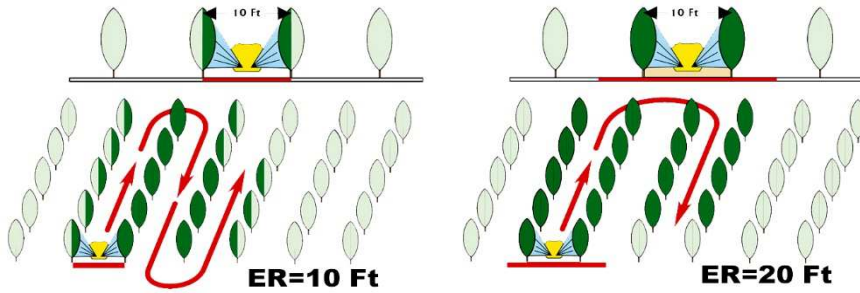
CIMA Calibration Worksheet
4x4 & 5x5
P42 P/S/T/45 P/S/T/50



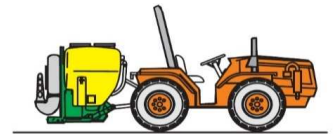
cima

How to Calibrate CIMA Atomizer Sprayer

1. "ER" Effective Range – Width in feet of Row spacing multiplied by the number of rows being sprayed.



2. "M.P.H." - "M.P.H." - Check your actual tractor MPH. on the terra in you are spraying on. Set the tractor throttle at 540 RPM PTO speed and select a tractor gear comfortable for spraying. Measure the distance traveled in 1 minute, divide by 88 will equal M.P.H.



3. G.P.A. The venturi style atomizer on a Cima sprayer provides more droplets for better coverage using less water at a higher concentration. For a typical application the Cima sprayer will use approximately 35 gallons of water per acre, compared to 100 gallons of water per acre for a conventional sprayer.



4. FORMULA Answer in G.P.H. (Gallons per Hour)

example:

$$\left(\frac{35 \text{ GPA} \times 3 \text{ MPH} \times 10 \text{ ER} \times 60}{500} \right) = 126 \text{ Gallons Per Hour}$$

$$\left(\frac{\text{GPA} \times \text{MPH} \times \text{ER} \times 60}{500} \right) = \boxed{}$$

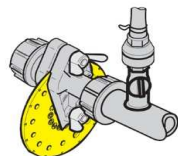
5. SPRAYHEAD CHART Find the GPH below which most closely matched the number you determined in the formula on the opposite page. Set the pressure gauge and the yellow metering discs accordingly

CHART

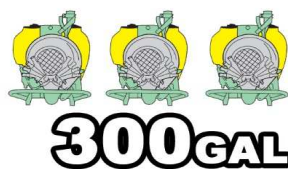
DISC	1.2 Bar	1.5 Bar	2.0 Bar
1	18	21	23
2	28	31	34
5	58	64	69
6	64	72	77
7	98	108	116
8	128	137	145
9	145	160	173

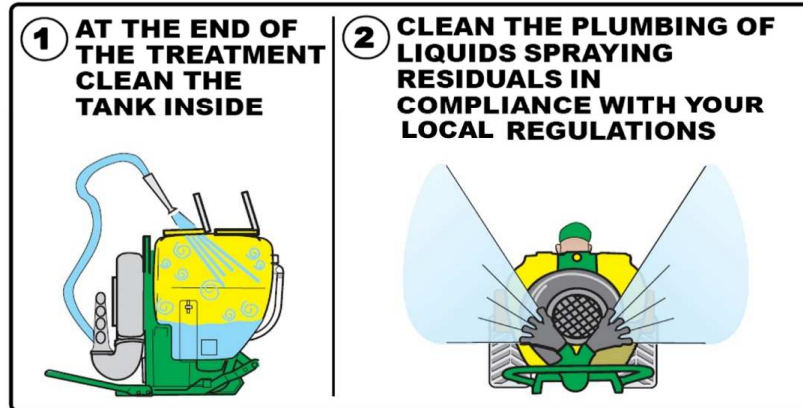
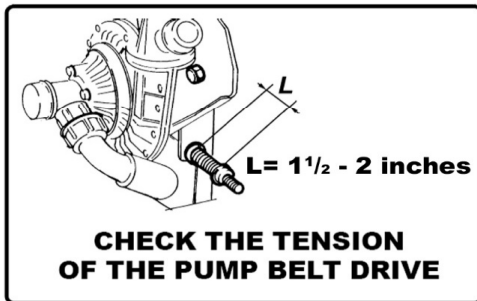
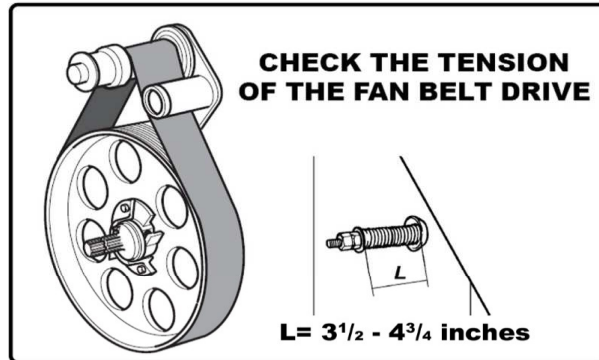
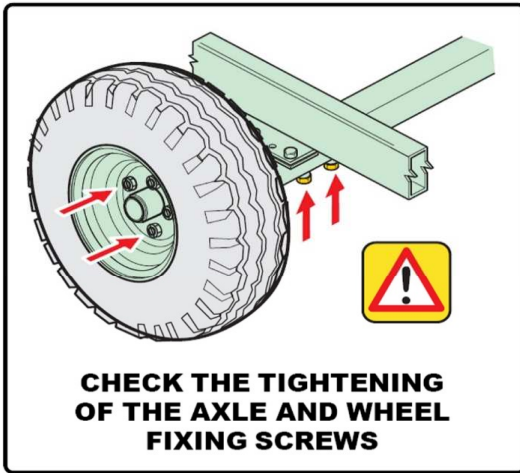
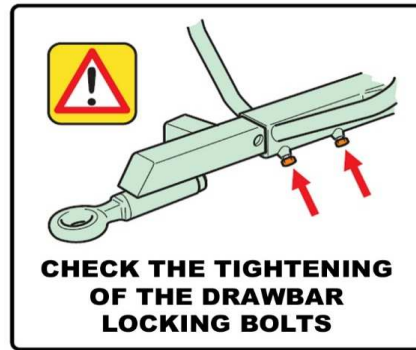
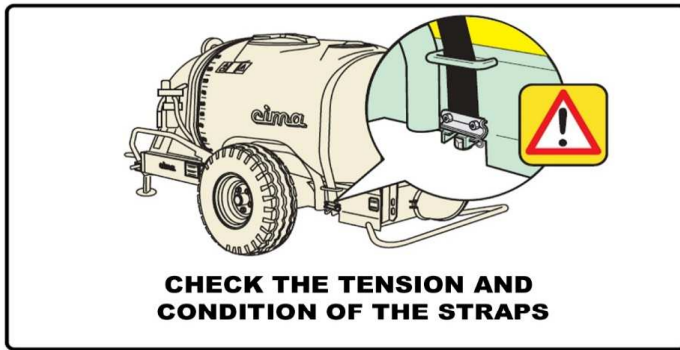
SPRAYHEAD CHART

DISC	1.2 Bar	1.5 Bar	2.0 Bar
1	21	26	29
2	26	32	36
3	37	42	48
4	51	55	61
5	63	69	74
6	75	82	90
7	99	106	116
8	121	131	145
9	148	161	176
10	166	183	129
11	201	224	256
12	259	285	322
13	359	391	422
14	428	470	576
15	486	554	655



6. MIXTURE DOSAGE -For application amount consult the label of the chemical that is being applied. Example: (X lb's) per Acre. Simply mix that amount in the GPA amount chosen during the Calibration to apply.





BDI Machinery
Buy Direct Int. Sales Inc.

52 Race Street Macungie Pa 18062
Phone (800) 808-0454, Fax (610) 965-2959
buydirect@bdimachinery.net
www.bdimachinery.net